

A Direct Proof of the Riemann Hypothesis

J.N. Cook with G. Volk and D. P. Allen

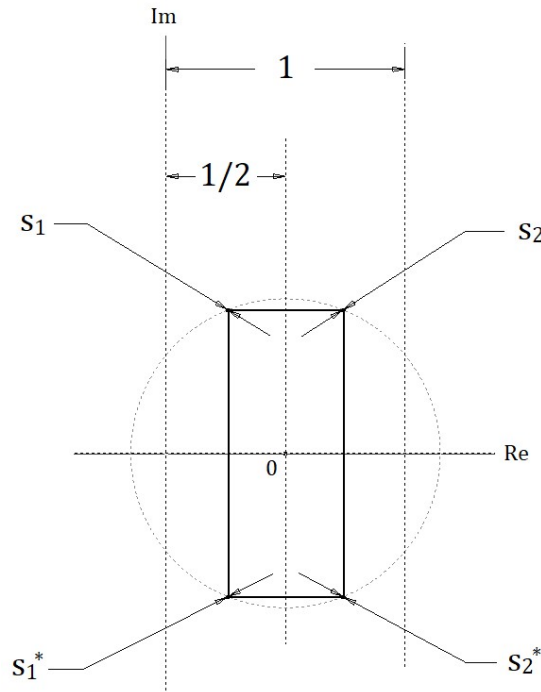
ABSTRACT. A zeta function $\zeta^{\rho}(s)$ is derived that shares all the non-trivial zeros of Riemann's zeta function $\zeta(s)$, and a novel representation of $\zeta(s)$ is presented that relates the two. From this it is shown how there can be only two types of zeros for $\zeta(s)$. A simple and direct proof of the Riemann hypothesis is obtained by setting both zeta functions to zero and solving for the general solution for all the non-trivial zeros directly.

1. Introduction

It is well known by B. Riemann's functional equation

$$\zeta(s) = 2^s \pi^{s-1} \sin\left(\frac{\pi s}{2}\right) \Gamma(1-s) \zeta(1-s) \tag{1}$$

that any non-trivial zeros of the zeta function $\zeta(s)$ that do not have a real part one half must exist within the critical strip $0 < \Re(s) < 1$ at the vertices of rectangles, symmetric across the critical line $\Re(s) = 1/2$ and symmetric across the real axis. [1][2][3]



Graphic definition of Riemann's symmetric vertices property (not to scale).

This implies $|\Re(s_1) - 1/2| = |\Re(s_2) - 1/2|$ and $\Im(s_1) = \Im(s_2)$, which this paper refers to as "Riemann's symmetric vertices property".

In his paper [3] Riemann writes that the "symmetrical form" [2]

$$\Gamma\left(\frac{s}{2}\right) \pi^{-\frac{s}{2}} \zeta(s) = \Gamma\left(\frac{1-s}{2}\right) \pi^{-(1-s)/2} \zeta(1-s),$$

of his functional equation “induced” him to introduce the integral $\Gamma(s/2)$ in place of $\Gamma(s)$ in order to define the ξ function as

$$\xi(s) = \frac{s}{2} (s-1) \pi^{-\frac{s}{2}} \Gamma\left(\frac{s}{2}\right) \zeta(s).$$

This is an entire function that satisfies

$$\xi(s) = \xi(1-s),$$

which reveals the symmetry between $\xi(s)$ and $\xi(1-s)$. Because $\zeta(s)$ is a multiplicative factor of $\xi(s)$, and because s and $s-1$ are reflections of each other through the real point one half, by definition of $\xi(s)$ all non-trivial zeros of the Riemann zeta function must comply with Riemann’s symmetric vertices property. [1][2][3].

This paper proposes that one can prove the non-existence of these hypothetical zeros off the critical line (that the Riemann hypothesis is true) by putting the Riemann zeta function in “oscillator form”

$$a + 2 \omega \zeta^\rho b + \omega^2 c = \zeta(s),$$

and solving for the general solution of $\zeta(s)$ ’s zeros directly.

Consider the following simplification in order to illustrate the motivation behind this representation. Given

$$a + b + c = 0,$$

there are only two types of solutions:

Type 1. Two terms negate each other and the third is zero, which has the geometric representation of a line (“Type 1 linear solution”),

and

Type 2. Two terms negate the third, which has the geometric representation of a plane (“Type 2 planar solution”).

There could not be any solution other than these two any more than a whole, consisting of three parts a, b and c , could be equal to more or less than the sum of these parts. This elementary definition holds true for oscillator form as well. Given a, b, c and ω having no roots, when

$$a + 2 \omega \zeta^\rho b + \omega^2 c = 0$$

the Type 1 linear solution is

$$a = -\omega^2 c, \quad \zeta^\rho = 0,$$

and the Type 2 planar solution is

$$\zeta^\rho = \frac{-a - \omega^2 c}{2 \omega \zeta^\rho b}, \quad \zeta^\rho \neq 0.$$

Once defined for arguments s , by setting both ζ^ρ and $\zeta(s)$ to zero and solving for a general solution, proof of the Riemann hypothesis is obtained if the hypothetical zeros off the critical line are not mathematically possible.

Claim. Given a Type 2 planar solution for the zeros of

$$a_s + 2 \omega_s \zeta^\rho(s) b_s + \omega_s^2 c_s = \zeta(s)$$

that does not comply with Riemann's symmetric vertices property, when $\zeta(s) = 0$ and $\zeta^\rho(s) = 0$ there exists a unique solution for all the non-trivial zeros of the Riemann zeta function.

$$2 \omega_s \zeta^\rho(s) b_s = -a_s - \omega_s^2 c_s + \zeta(s) = 0 \Leftrightarrow \Re(s) = \frac{1}{2}, \quad \zeta(s) = 0.$$

See the appendix for an outline of this proof.

Proof of the Claim. It is difficult (if not impossible) to completely analyze the non-trivial zeros of the Riemann zeta function by his functional equation alone, as represented. It should be obvious, however, that the functional equation reduces to zero for the trivial zeros because $\sin(\pi s/2) \Gamma(1-s) = 0, s = 2n, n \leq 0$. But other than Riemann's symmetric vertices property, just about the only other information one may glean is that the absolute value of the multiplicative factor $2^s \pi^{s-1} \sin(\pi s/2) \Gamma(1-s)$ that relates $\zeta(1-s)$ to $\zeta(s)$ reduces to one whenever the real part of s equals one half. That is perhaps not enough information to work from however at face value, but one may use a variation of this property to separate out the critical zeros in order to evaluate all remaining zeros of $\zeta(s)$ by purely rational functions.

Place all of the irrational properties of the functional equation, including $\zeta(1-s)$, into a single function $\zeta^\rho(s)$ so that $\zeta^\rho(s)$ relates to $\zeta(s)$ only by rational functions. Multiply both sides of (1) by $(s-1)^3$, subtract one, then multiply by i . This gives

$$i(\zeta(s)(s-1)^3 - 1) = i \left(2^s \pi^{s-1} (s-1)^3 \sin\left(\frac{\pi s}{2}\right) \Gamma(1-s) \zeta(1-s) - 1 \right).$$

Then add $-2 \operatorname{Im}(s)$ to both sides and multiply by $\sin(\arg(s))$.

$$\begin{aligned} & \frac{\Im(s)(i((s-1)^3 \zeta(s) - 1) - 2 \Im(s))}{|s|} \\ &= \sin(\arg(s)) \left(-2 \operatorname{Im}(s) \right. \\ & \quad \left. + i \left(2^s \pi^{s-1} (s-1)^3 \sin\left(\frac{\pi s}{2}\right) \Gamma(1-s) \zeta(1-s) - 1 \right) \right). \end{aligned}$$

Add $2 \operatorname{Im}(s) (2 \operatorname{Im}(s) + i) \cos(\arg(s))$ to both sides, and divide both sides by $s^* \sin(\arg(s))$

$$\begin{aligned}
& \frac{i \left((s^*)^2 + (s-1)^2 ((s-1)\zeta(s) - 1) \right)}{s^*} \\
&= \frac{1}{s^* \sin(\arg(s))} \left(\sin(\arg(s)) \left(-2 \operatorname{Im}(s) \right. \right. \\
&\quad \left. \left. + i \left(2^s \pi^{s-1} (s-1)^3 \sin\left(\frac{\pi s}{2}\right) \Gamma(1-s) \zeta(1-s) - 1 \right) \right) \right. \\
&\quad \left. + 2 \operatorname{Im}(s) (2 \operatorname{Im}(s) + i) \cos(\arg(s)) \right)
\end{aligned}$$

Divide both sides by $2(s-1)$ and let the right hand side be defined as $\zeta^\rho(s)$.

$$\frac{i \left((s^*)^2 + (s-1)^2 ((s-1)\zeta(s) - 1) \right)}{2(s-1)s^*} = \zeta^\rho(s), \quad s \neq 0. \quad (2)$$

Now that all the irrational properties of Riemann's functional equation, including $\zeta(1-s)$, are contained within the definition of $\zeta^\rho(s)$, multiply both sides of (2) by $-2i(s-1)s^*$, then add $(s-1)^2 - (s^*)^2$ and divide by $(s-1)^3$ in order to solve back for the Riemann zeta function.

$$\zeta(s) = \frac{(s-1)^2 - 2i(s-1)\zeta^\rho(s)s^* - (s^*)^2}{(s-1)^3}, \quad s \neq 0.$$

Next define the other functions of the oscillator form of $\zeta(s)$. Subtract $(s^*(-s^* - 2i(s-1)\zeta^\rho(s)))/(s-1)^3$ from both sides and let the right hand side be defined as a_s .

$$\begin{aligned}
\zeta(s) - \frac{s^*(-s^* - 2i(s-1)\zeta^\rho(s))}{(s-1)^3} &= \frac{1}{s-1}. \\
&= a_s
\end{aligned}$$

Divide both sides by $(1-s)$ and let the right hand side be defined as b_s .

$$\begin{aligned}
-\frac{2i(s-1)\zeta^\rho(s)s^* + (s^*)^2 + (s-1)^3\zeta(s)}{(s-1)^4} &= -\frac{1}{(s-1)^2}. \\
&= b_s
\end{aligned}$$

Divide both sides once more by $(1-s)$ and let the right hand side be defined as c_s .

$$\begin{aligned}
\frac{2i(s-1)\zeta^\rho(s)s^* + (s^*)^2 + (s-1)^3\zeta(s)}{(s-1)^5} &= \frac{1}{(s-1)^3}. \\
&= c_s
\end{aligned}$$

Multiply both sides by $i(s-1)^3s^*$ and let the right hand side be defined as ω_s .

$$\frac{i s^* (2 i (s - 1) \zeta^\rho(s) s^* + (s^*)^2 + (s - 1)^3 \zeta(s))}{(s - 1)^2} = i s^* .$$

$$= \omega_s$$

Finally, square both sides, multiply by c_s and add $a_s + 2\omega_s \zeta^\rho(s) b_s$. Because of the trigonometric and complex arithmetic definitions used in the above algebraic manipulations, one gets the oscillator form of $\zeta(s)$.

$$\zeta(s) = a_s + 2 \omega_s \zeta^\rho(s) b_s + \omega_s^2 c_s, \quad s \neq 0. \quad (3)$$

And (3) is not only an alternative representation of (1), but a representation that allows for complete analysis of the Riemann hypothesis.

First, because a_s, b_s and c_s are multiplicative inverses of $(s - 1)$ to some power, and zero has no reciprocal, a_s, b_s and c_s have no roots. Second, because $(s - 1)\zeta(s) - 1 = -1, \zeta(s) = 0$ in the numerator of (2), (2) reduces to

$$\zeta^\rho(s) = \frac{-a_s - \omega_s^2 c_s}{2 \omega_s b_s} \quad (4)$$

$$= \frac{i ((s^*)^2 - (s - 1)^2)}{2 (s - 1) s^*}$$

for all the zeros (trivial and non-trivial) of $\zeta(s)$. Because a whole is equal to the sum of its parts, there are only two types of solutions for (3), which are both contained in (4). The first solution is linear on the critical line.

$$0 = \frac{-a_s - \omega_s^2 c_s}{2 \omega_s b_s}$$

$$= \frac{i ((s^*)^2 - (s - 1)^2)}{2 (s - 1) s^*}$$

$$= \frac{i (1 - 2 i \Im(s))(2 \Re(s) - 1)}{2 (s - 1) s^*} \Rightarrow \Re(s) = \frac{1}{2} : a_s = -\omega_s^2 c_s$$

Because $2 \Re(s) - 1 = 0$ implies $\Re(s) = 1/2$, and no other part of (4) could equal zero by the definitions of complex arithmetic, the Type 1 linear solution is

$$\Re(s) = \frac{1}{2}, \quad \zeta^\rho(s) = 0. \quad (5)$$

And now that all the critical zeros are separated from all other zeros, analysis of the remaining becomes elementary. Solving for the real part of s from the Type 2 planar solution

$$\zeta^\rho(s) = \frac{-a_s - \omega_s^2 c_s}{2 \omega_s b_s}, \quad \zeta^\rho(s) \neq 0, \quad (6)$$

given the quadratic formula applied to (6), one gets

$$\Re(s) = \frac{\pm\sqrt{-(2\Im(s) + i)^2(\zeta^\rho(s)^2 - 1)} + 2\Im(s) + \zeta^\rho(s) + i}{2\zeta^\rho(s)}, \quad (7)$$

$$\zeta^\rho(s) \neq 0,$$

where all the zeros other than $\Re(s) = 1/2, \zeta^\rho(s) = 0$ consist of pairs across the critical line from each other.

Upon examination of the square root, because

$$-(2\Im(s) + i)^2(\zeta^\rho(s)^2 - 1) = (\zeta^\rho(s)^2 - 1)(s^* - s + 1)^2,$$

one can also express (7) as

$$\Re(s) = \frac{\pm\sqrt{(\zeta^\rho(s)^2 - 1)(s^* - s + 1)^2} + 2\Im(s) + \zeta^\rho(s) + i}{2\zeta^\rho(s)},$$

which also provides a pair of $\zeta^\rho(s)$'s, given by

$$\zeta^\rho(s) = \frac{\pm\sqrt{(2\Im(s) + i)^2 |1 - 2\Re(s)| + (s^* + s - 1)(2\Im(s) + i)}}{4(|(s)^2| - s^*)}.$$

This gives a total of four possible hypothetical zeros (two sets of pairs) across the real and critical lines from each other, as were graphically defined at the beginning of this paper, and as implied by (1). Now one can ask the question, given any hypothetical non-trivial zero s_1 off the critical line, *is it possible for any s_2 to be symmetric to s_1 across the critical line?* That is; for any $\Re(s_1) \neq 1/2$, *is it possible given the two solutions in (7) to have a $\Re(s_2) \neq 1/2$ equidistant to s_1 from the critical line?*

Because

$$r = \sqrt{(v - x)^2 + (w - y)^2}$$

gives the distance r between any two points $v + iw$ and $x + iy$ on the complex plane, the distance r_{cr} from any point s to the nearest point $1/2 + i\Im(s)$ on the critical line is given by

$$r_{cr} = \left| \Re(s) - \frac{1}{2} \right|.$$

One can then verify if symmetry between the positive and negative solutions of (7) is mathematically possible. Setting the two distances equal to each other

$$\left| \Re(s_1) - \frac{1}{2} \right| = \left| \Re(s_2) - \frac{1}{2} \right|,$$

where s_1 is either the positive or negative solution to (7) and s_2 is either the positive or negative as well, one gets

$$\begin{aligned}
& \left| \frac{\pm \sqrt{-(2 \Im(s_1) + i)^2 (\zeta^\rho(s_1))^2 - 1} + 2 \Im(s_1) + \zeta^\rho(s_1) + i}{2 \zeta^\rho(s_1)} - \frac{1}{2} \right| \\
&= \left| \frac{\pm \sqrt{-(2 \Im(s_1) + i)^2 (\zeta^\rho(s_2))^2 - 1} + 2 \Im(s_1) + \zeta^\rho(s_2) + i}{2 \zeta^\rho(s_2)} - \frac{1}{2} \right|, \quad (8) \\
& s_1 = s_2 \quad \vee \quad \zeta^\rho(s_1) = \pm 1 \quad \vee \quad \zeta^\rho(s_2) = \pm 1
\end{aligned}$$

The imaginary part of s_1 is on both sides of the equation because Riemann's symmetric vertices property not only implies $|\Re(s_1) - 1/2| = |\Re(s_2) - 1/2|$, but also $\Im(s_1) = \Im(s_2)$. Now one can evaluate the solutions of (8). The value inside the square root reduces to zero for $\zeta^\rho(s) = \pm 1$, but because

$$\frac{i((s^*)^2 - (s - 1)^2)}{2(s - 1)s^*} = \pm 1 \Rightarrow s \pm i s^* = 1$$

from (6) is false by the definitions of complex arithmetic, this solution is extraneous. The only other possible solution $s_1 = s_2$ in (8) is meaningless, as the only arguments that could apply would be the critical zeros, which would give $\zeta^\rho(s) = 0$ for $\Re(s) = 1/2$, leaving (8) undefined. Therefore

$$\left| \Re(s_1) - \frac{1}{2} \right| \neq \left| \Re(s_2) - \frac{1}{2} \right|, \quad \zeta^\rho(s) \neq 0. \quad (9)$$

The Type 2 planar solution (6) does not comply with Riemann's symmetric vertices property, and the negative solution to (7) also becomes extraneous with the positive only applying to the trivial zeros. Because all non-trivial zeros must comply with Riemann's symmetric vertices property, and there are only two types of solutions for $\zeta(s) = 0$, all the non-trivial zeros of the Riemann zeta function must be restricted to the Type 1 linear solution (5). Therefore, when $\zeta(s) = 0$ and $\zeta^\rho(s) = 0$ there exists a unique solution for all the non-trivial zeros of the Riemann zeta function.

$$2 \omega_s \zeta^\rho(s) b_s = -a_s - \omega_s^2 c_s + \zeta(s) = 0 \Leftrightarrow \Re(s) = \frac{1}{2}, \quad \zeta(s) = 0,$$

and the Riemann hypothesis is correct. ■

Acknowledgments. Eternal thanks to the late J. Sondow for without his help the final form of this paper would not have been possible.

JEFFREY N. COOK
Email: jnoelcook@yahoo.com

GREG VOLK
Email: the.volks@comcast.net

DENNIS P ALLEN, JR
Email: allens11111@gmail.com

References

- [1] E. C. Titchmarsh, *The Theory of the Riemann Zeta Function, Second revised (Heath-Brown) edition*, Oxford University Press, (1986).
- [2] A. Ossicini, *An Alternative Form of the Functional Equation for Riemann's Zeta Function II*, Acta Univ. Palacki. Olomuc., Fac. rer. nat., Mathematica 53, 2 (2014)
- [3] B. Riemann, *Über die Anzahl der Primzahlen unter einer gegebenen Grösse. Monatsberichte der Berliner Akademie*, (1859). Gesammelte Werke, Teubner, Leipzig, (1892). Reprinted by Dover, NY, (1953).

Appendix. Proof outline.

This proof follows the direct form $P_1 \wedge \dots \wedge P_n \Rightarrow Q$.

P_1 : All non-trivial zeros of the Riemann zeta function must comply with Riemann's symmetric vertices property.

P_2 : $a_s + 2 \omega_s \zeta^\rho(s) b_s + \omega_s^2 c_s = \zeta(s), s \neq 0$.

P_3 : a_s, b_s and c_s have no roots.

P_4 : There are only two types of solutions for P_2 equal to zero: 1) a Type 1 linear solution and 2) a Type 2 planar solution.

P_5 : The Type 1 linear solution is $\Re(s) = 1/2$.

P_6 : The Type 2 planar solution consists of pairs s_1 and s_2 .

P_7 : The Type 2 planar solution pairs do not comply with Riemann's symmetric vertices property.

P_8 : All the non-trivial zeros of P_1 must be restricted to the Type 1 linear solution.

Q : The Riemann hypothesis is correct.