

# Unobservable Gauge Fields to Explain Single Photon and Electron Interference

Masahito Morimoto<sup>1,\*</sup>

<sup>1</sup>*Fitel Photonics Laboratory of Furukawa Electric Co., Ltd.  
6, Yawata-Kaigandori, Ichihara, Chiba 290-8555 Japan*

We show single photon and electron interferences can be calculated without quantum-superposition states assuming that the states are expressed as a localized optical or electron beam and unobservable potentials. From the analysis results, the unobservable potentials can be identified as indefinite metric vectors with zero probability amplitude. The results insist there is no concept of quantum-superposition states, which leads to an improved understanding of the uncertainty principle and resolution of paradox of reduction of the wave packet, elimination of zero-point energy on certain conditions and derivation of spontaneous symmetry breaking. The results insist Quantum theory is a kind of statistical physics.

## I. INTRODUCTION

Basic concept of the quantum theory is the quantum-superposition states. Arbitrary states of a system can be described by pure states which are superposition of eigenstates of the system. Calculation results by the concept agree well with experiment. Without the concept, single photon or electron interference could not be explained. In addition to the interference, entangle states also could not be explained.

However the concept leads to the paradox of the reduction of the wave packet typified by "Schrödinger's cat" and "Einstein, Podolsky and Rosen (EPR)". [1, 2]

In order to interpret the quantum theory without paradoxes, de Broglie and Bohm had proposed so called "hidden variables" theory. [3, 4] Although, "hidden variables" has been negated,[5] the theory has been extended to consistent with relativity and ontology. [6–10] However the extension has not been completed so far.

Although there were a lot of arguments about the paradoxes, recent paper related to the quantum interferences convince us of the validity of the concept. For example, quantum mechanical superpositions by some experiments have been reviewed. [11] The atom interference by using Bose-Einstein condensates (BECs) has been reported experimentally and theoretically. [12, 13] The coherence length of an electron or electron-electron interference by using the Aharonov-Bohm oscillations in an electronic MZI has been discussed theoretically. [14, 15] A plasmonic modulator utilizing an interference of coherent electron waves through the Aharonov-Bohm effect has been studied by the author. [16] The entangle states have been widely discussed experimentally and theoretically. [17–22] The photon interference by using nested MZIs and vibrate mirrors has been measured and analyzed. [23, 24] The double-slit electron diffraction has been experimentally demonstrated. [25] According to our analysis, BECs corresponds to mixed states with

coherence rather than pure states. The paper related to the entangle state, interferences by nested MZIs and Aharonov-Bohm effect [14–16, 21–24] can not solve the paradoxes. However, BECs, condensate and bosonization systems correspond to mixed states with or without coherence rather than pure states, and no paper can solve the paradoxes.

In this paper, we offer a new insight of the single photon and electron interference that can solve the paradoxes. According to the new insight, there is no concept of quantum-superposition and pure states whose probabilities are fundamental sense in nature. Only the concept of mixed states whose probabilities are statistical sense is valid in nature. The new insight gives us novel and important results, i.e., improved understanding of the uncertainty principle non-related to measurements, elimination of zero-point energy on certain conditions without artificial subtraction, derivation of spontaneous symmetry breaking without complexity and knowledge that Quantum theory is a kind of statistical physics.

In addition, new insight can conclude that the concept of entangle state is also not valid in nature though there have been reported the validity of the concept of entangle states. [17–22] We will discuss the entangle state by using the new insight in other letter. [26]

In section II, we show easy example of Gaussian photon beam to explain that single photon can be described by substantial (localized) photon and unobservable potentials. In addition, more general description by using gauge invariance is offered. In section IV, we also show easy explanation that we should recognize the existence of the potentials in two-slit electron interference experiment. In section III and V, we show the calculation of the interferences by using states represent the substantial photon or electron and the unobservable potentials, which does not require quantum-superposition states. In section VI, we discuss the paradoxes related to quantum-superposition states, zero-point energy, spontaneous symmetry breaking and general treatment of single particle interferences. In section VII, we summarize the findings of this work.

Aharonov and Bohm had pointed out the unobservable

---

\* Corresponding author: morimoto@ch.furukawa.co.jp

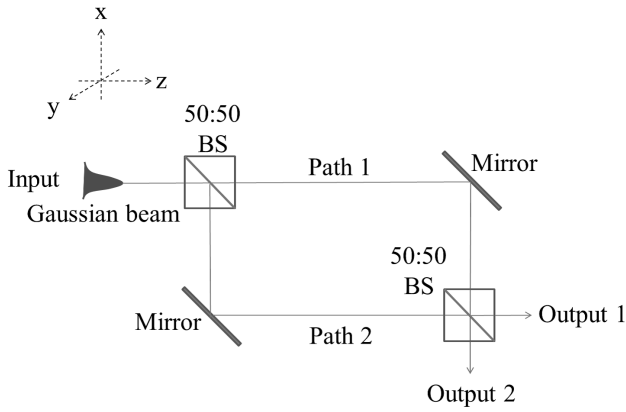


FIG. 1. Schematic view of MZI. BS:Beam Splitter.

potentials can effect the electron wave interferences and the effect had been experimentally identified by Tononura et. al. [27–29]

The findings has pointed out the unobservable potentials, which can be identified as gauge fields, generate not only Aharonov-Bohm effect but also single photon, electron or an arbitrary particle field interferences and fluctuation of the universe as will be described later in this paper.

The discussions in this paper are very simple to the same level as an introductory of quantum theory, because the quantum theory has a misunderstanding in such a fundamental concept and nature of nature will be simple.

## II. CLASSICAL ELECTROMAGNETIC FIELD OF MZI - POTENTIALS AND PHOTON

Figure 1 shows schematic view of the Mach-Zehnder Interferometer (MZI) and coordinate system.

First we examine the input beam. Assume that an x-polarized optical beam propagates in z-direction with angular frequency  $\omega$  and propagation constant  $\beta$ , the electric field  $\mathbf{E}$  of the optical beam is well localized in the free space, e.g., the cross section profile of the electric field is expressed as Gaussian distribution.

Then, the electric field of the optical beam in the input can be expressed as follows.

$$\mathbf{E} = \mathbf{e}_x \cdot C_E \cdot \exp\left(-\frac{x^2 + y^2}{w_0^2}\right) \cdot \cos(\omega t - \beta z) \quad (1)$$

Where,  $\mathbf{e}_x$  is unit vector parallel to the x-axis.  $C_E$  is an arbitrary constant of which squared is proportional to the field intensity.  $w_0$  is the radius of the optical beam.  $\mathbf{E}$  and  $\mathbf{B}$  are expressed by vector and scalar potentials as follows.

$$\begin{aligned} \mathbf{E} &= -\frac{\partial}{\partial t} \mathbf{A} - \nabla \phi \\ \mathbf{B} &= \nabla \times \mathbf{A} \end{aligned} \quad (2)$$

From (1) and (2),  $\mathbf{A}$  is expressed by introducing a vector function  $\mathbf{C}$  as follows.

$$\mathbf{A} = -\frac{1}{\omega} \mathbf{e}_x \cdot C_E \cdot \exp\left(-\frac{x^2 + y^2}{w_0^2}\right) \cdot \sin(\omega t - \beta z) + \mathbf{C}$$

$$\frac{\partial}{\partial t} \mathbf{C} = -\nabla \phi \quad (3)$$

By taking  $\mathbf{C}$  as an irrotational vector function  $\nabla \times \mathbf{C} = 0$  in order for  $\mathbf{B}$  to localize in the space, for example,  $\mathbf{C}$  and  $\phi$  can be expressed by introducing an arbitrary scalar function  $\lambda$  as  $\mathbf{C} = \nabla \lambda$  and  $\nabla \left(\frac{\partial}{\partial t} \lambda + \phi\right) = 0$  respectively.

Then  $\mathbf{B}$  is expressed as follows

$$\begin{aligned} \mathbf{B} &= \nabla \times \mathbf{A} \\ &= \frac{\beta}{\omega} \mathbf{e}_y \cdot C_E \cdot \exp\left(-\frac{x^2 + y^2}{w_0^2}\right) \cdot \cos(\omega t - \beta z) \\ &\quad - \frac{2y}{\omega \cdot w_0^2} \mathbf{e}_z \cdot C_E \cdot \exp\left(-\frac{x^2 + y^2}{w_0^2}\right) \cdot \sin(\omega t - \beta z) \end{aligned} \quad (4)$$

Therefore,  $\mathbf{E}$  and  $\mathbf{B}$  are localized in the free space in the input. In contrast, the vector and scalar potentials, which can not be observed alone, are not necessarily localized.

Note that, the Gaussian beam radius will be spatially expanded due to the free space propagation. However, the radius of the propagated beam  $w(z)$  will be approximately 10.5mm when the beam with the initial radius  $w_0 = 10\text{mm}$  propagates  $z = 100\text{m}$  in free space.

This value can be calculated by  $w(z) = w_0 \sqrt{1 + \left(\frac{\lambda z}{\pi w_0^2}\right)^2}$  when the wavelength  $\lambda = 1\mu\text{m}$  is applied. Then the spatially expansion of the beam will be negligible small when the paths of the MZI are less than several tens meters.

The above localized form (1) is one example, other forms can be employed as follows.

Let examine the following Maxwell equations.

$$\begin{aligned} \left(\Delta - \frac{1}{c^2} \frac{\partial^2}{\partial t^2}\right) \mathbf{A} - \nabla \left(\nabla \cdot \mathbf{A} + \frac{1}{c^2} \frac{\partial \phi}{\partial t}\right) &= -\mu_0 \mathbf{i} \\ \left(\Delta - \frac{1}{c^2} \frac{\partial^2}{\partial t^2}\right) \phi + \frac{\partial}{\partial t} \left(\nabla \cdot \mathbf{A} + \frac{1}{c^2} \frac{\partial \phi}{\partial t}\right) &= -\frac{\rho}{\varepsilon_0} \end{aligned} \quad (5)$$

where  $\mu_0$  is the permeability and  $\rho$  is the electric charge density.

Here, we divide the potentials  $\mathbf{A}$ ,  $\phi$  into localized  $\mathbf{A}_1$ ,  $\phi_1$  and unobservable  $\mathbf{A}_{\text{uo}}$ ,  $\phi_{\text{uo}}$ . Then the equations (5) can be divided into following equations

$$\begin{aligned} \left(\Delta - \frac{1}{c^2} \frac{\partial^2}{\partial t^2}\right) \mathbf{A}_1 - \nabla \left(\nabla \cdot \mathbf{A}_1 + \frac{1}{c^2} \frac{\partial \phi_1}{\partial t}\right) &= -\mu_0 \mathbf{i} \\ \left(\Delta - \frac{1}{c^2} \frac{\partial^2}{\partial t^2}\right) \phi_1 + \frac{\partial}{\partial t} \left(\nabla \cdot \mathbf{A}_1 + \frac{1}{c^2} \frac{\partial \phi_1}{\partial t}\right) &= -\frac{\rho}{\varepsilon_0} \end{aligned} \quad (6)$$

and

$$\begin{aligned} \left(\Delta - \frac{1}{c^2} \frac{\partial^2}{\partial t^2}\right) \mathbf{A}_{\text{uo}} - \nabla \left(\nabla \cdot \mathbf{A}_{\text{uo}} + \frac{1}{c^2} \frac{\partial \phi_{\text{uo}}}{\partial t}\right) &= 0 \\ \left(\Delta - \frac{1}{c^2} \frac{\partial^2}{\partial t^2}\right) \phi_{\text{uo}} + \frac{\partial}{\partial t} \left(\nabla \cdot \mathbf{A}_{\text{uo}} + \frac{1}{c^2} \frac{\partial \phi_{\text{uo}}}{\partial t}\right) &= 0 \end{aligned} \quad (7)$$

When  $\mathbf{i} = 0$  and  $\rho = 0$ , the equations (6) can express the localized electromagnetic fields in free space as described in the above.

In contrast, the equations (7) are independent of (6). Note that even if we study a wave packet like optical beam instead of continuous one in z-axis as (1), unobservable potentials (7) are independent of the beam configuration. In addition, even if there are no optical beam, the unobservable potentials (7) exist. Therefore the unobservable potentials can eternally populate the whole of space as waves defined by Maxwell equations, which propagate at the speed of light. If the Lorentz condition is applied to (7), the unobservable potentials can exist in whole space as harmonic oscillators.

(7) expresses the gauge invariance of the localized electromagnetic field or electron flows and the unobservable potentials are well-known gauge field introduced by gauge transformation of the second kind.

### III. INTERFERENCE OF SINGLE PHOTON

If Maxwell equations are deemed to be classical wave equations whose electro-magnetic fields obey the superposition principle, then we can express the electric field of the interference by the superposition fields (superposition of divided fields of the input)  $\mathbf{E}_{\text{out}} = \frac{1}{2}\mathbf{E}_1 + \frac{1}{2}\mathbf{E}_2$ .

However, we can express the electric field of the interference without superposition by using the unobservable potentials as follows.

$$\begin{aligned}\mathbf{E}_{\text{out}} &= -\frac{\partial}{\partial t}\mathbf{A}_1 - \nabla\phi_1 - \frac{\partial}{\partial t}\mathbf{A}_{\text{uo}} - \nabla\phi_{\text{uo}} \\ &= \mathbf{E}_1 - \frac{\partial}{\partial t}\mathbf{A}_{\text{uo}} - \nabla\phi_{\text{uo}}\end{aligned}\quad (8)$$

If the unobservable potentials configure the following electric field, the interference by one side MZI path can be produced in cooperation with a photon field passes through path 1.

$$-\frac{\partial}{\partial t}\mathbf{A}_{\text{uo}} - \nabla\phi_{\text{uo}} = \frac{1}{2}\mathbf{E}_2 - \frac{1}{2}\mathbf{E}_1 \quad (9)$$

where subscripts 1 and 2 stand for the MZI path 1 and 2 respectively.

The above discussion is based on classical description. However, applying the superposition principle to particle image, e.g., inseparable single photon, leads to quantum paradoxes. Then we translate the above classical description using the unobservable potentials to quantum description without paradoxes.

In a quantum mechanical description, the photon interference is calculated by introducing the electric field operator  $\hat{E} = \frac{1}{\sqrt{2}}\hat{a}_1 \exp(i\theta) + \frac{1}{\sqrt{2}}\hat{a}_2$  and the number state  $|n\rangle$  as follows. [30] Where  $\hat{a}_{1\text{or}2}$  is the electric field operator in path 1 or 2 respectively,  $\theta$  is the phase difference.

$$\langle \hat{I} \rangle \propto \frac{1}{2}\langle n|\hat{a}_1^\dagger\hat{a}_1|n\rangle + \frac{1}{2}\langle n|\hat{a}_2^\dagger\hat{a}_2|n\rangle + \cos\theta\langle n|\hat{a}_1^\dagger\hat{a}_2|n\rangle \quad (10)$$

Where  $\langle \hat{I} \rangle$  is expectation value of the field intensity which is proportional to photon number.  $\hat{a}_{1\text{or}2}$  and  $\hat{a}_{1\text{or}2}^\dagger$  are defined as  $\hat{a} = \frac{\hat{a}_1 + \hat{a}_2}{\sqrt{2}}$  and  $\hat{a}^\dagger = \frac{\hat{a}_1^\dagger + \hat{a}_2^\dagger}{\sqrt{2}}$  by using the electric field operators  $\hat{a}$  and  $\hat{a}^\dagger$  at the input with  $\langle n|\hat{a}_1^\dagger\hat{a}_1|n\rangle = \langle n|\hat{a}_2^\dagger\hat{a}_2|n\rangle = \langle n|\hat{a}_1^\dagger\hat{a}_2|n\rangle = \frac{1}{2}n$ . When photon number is one ( $n = 1$ ), i.e., single photon, the above expectation value is calculated to be  $\langle \hat{I} \rangle \propto \frac{1}{4} + \frac{1}{4} + \frac{1}{2}\cos\theta = \frac{1}{2} + \frac{1}{2}\cos\theta$ . In this traditional treatment, the electric field operators are obtained from quantization of (5) by using Coulomb gauge under assumption of  $\mathbf{i} = 0$  and  $\rho = 0$ .

However we can make a different description by using the concept of the above unobservable potentials as follows.

Photon number will be proportional to  $C_E$  squared in equation (3). In contrast, the unobservable potentials  $\mathbf{C}$  and  $\phi$  or (7) are not necessarily proportional to photon number. When there are a large number of photons, it is reasonable to suppose that half of photons pass through path 1 and the rest pass through path 2 by law of large numbers because the probability of "which path does each photon select" should be  $\frac{1}{2}$ . This concept corresponds to mixed state instead of quantum-superposition state whose probabilities are statistical and fundamental sense respectively.

However when there are only a few photons, which correspond to the localized vector potential expressed as first term of equation (3) is comparable with the unobservable potentials expressed as the rest terms or (7), we should consider greater probability that only the localized vector potential which represent a photon selects and passes through path 1 and the unobservable potentials pass through path 2. This description can also be applied to (6) and (7).

According to this description, the operator  $\hat{E} = \hat{a}_1 \exp(i\theta) + \hat{a}_2$  with  $\langle 1|\hat{a}_1^\dagger\hat{a}_1|1\rangle = 1$  and  $\langle 1|\hat{a}_2^\dagger\hat{a}_2|1\rangle \neq 1$  instead of  $\hat{E} = \frac{1}{\sqrt{2}}\hat{a}_1 \exp(i\theta) + \frac{1}{\sqrt{2}}\hat{a}_2$  should be introduced because the photon passes through only path 1. Note that  $\hat{a}_1$  is the electric field operator in path 1 obtained from the traditional quantization as mentioned above using (6) instead of (5). In contrast,  $\hat{a}_2$  is a purely-formal operator in path 2 obtained from the traditional quantization using (7) instead of (5), which is not the electric field operator but provides some quantity related to the unobservable potentials in path 2.

Therefore the expectation value of output 1 ( $\frac{\pi}{2}$  phase difference will correspond to output 2) can be expressed as follows.

$$\begin{aligned}\langle \hat{I} \rangle &\propto \langle 1|\hat{a}_1^\dagger\hat{a}_1|1\rangle + \langle 1|\hat{a}_2^\dagger\hat{a}_2|1\rangle \\ &\quad + e^{i\theta}\langle 1|\hat{a}_1^\dagger\hat{a}_2|1\rangle + e^{-i\theta}\langle 1|\hat{a}_2^\dagger\hat{a}_1|1\rangle \\ &= 1 + \langle 1|\hat{a}_2^\dagger\hat{a}_2|1\rangle \\ &\quad + e^{i\theta}\langle 1|\hat{a}_1^\dagger\hat{a}_2|1\rangle + e^{-i\theta}\langle 1|\hat{a}_2^\dagger\hat{a}_1|1\rangle\end{aligned}\quad (11)$$

If  $\langle 1|\hat{a}_2^\dagger\hat{a}_2|1\rangle + e^{i\theta}\langle 1|\hat{a}_1^\dagger\hat{a}_2|1\rangle + e^{-i\theta}\langle 1|\hat{a}_2^\dagger\hat{a}_1|1\rangle = -\frac{1}{2} + \pm \cos\theta$ , the same interference  $\langle \hat{I} \rangle \propto \frac{1}{2} \pm \frac{1}{2}\cos\theta$  can be observed.

More precise calculation is as follows. Traditional treatment of quantization procedure for quantum optics with Coulomb gauge is as follows.

$$\begin{aligned}\hat{a} &= \frac{1}{\sqrt{2\hbar\omega}} (\omega\hat{q} + i\hat{p}) \\ \hat{a}^\dagger &= \frac{1}{\sqrt{2\hbar\omega}} (\omega\hat{q} - i\hat{p})\end{aligned}\quad (12)$$

where  $\hat{q}$  and  $\hat{p}$  are position and momentum operators obeying the commutation relation  $[\hat{q}, \hat{p}] = i\hbar$ . Hamiltonian of harmonic oscillator is expressed as follows.

$$\hat{\mathcal{H}} = \frac{1}{2} (\hat{p}^2 + \omega^2\hat{q}^2) \quad (13)$$

Then following relations are obtained.

$$\begin{aligned}\hat{a}^\dagger\hat{a} &= \frac{1}{2\hbar\omega} (\hat{p}^2 + \omega^2\hat{q}^2 + i\omega\hat{q}\hat{p} - i\omega\hat{p}\hat{q}) \\ &= \frac{1}{\hbar\omega} \left( \hat{\mathcal{H}} - \frac{1}{2}\hbar\omega \right) \\ \hat{a}\hat{a}^\dagger &= \frac{1}{\hbar\omega} \left( \hat{\mathcal{H}} + \frac{1}{2}\hbar\omega \right)\end{aligned}\quad (14)$$

The above traditional operators correspond to the localized potentials, i.e., the operators of (6).

Here we can find the following operators for the unobservable potentials can generate the interference.

$$\begin{aligned}\hat{a}_2 &= \frac{1}{2}\gamma e^{i\theta/2}\hat{a}_1 - \frac{1}{2}\gamma e^{-i\theta/2}\hat{a}_1 \\ \hat{a}_2^\dagger &= \frac{1}{2}\gamma e^{-i\theta/2}\hat{a}_1^\dagger - \frac{1}{2}\gamma e^{i\theta/2}\hat{a}_1^\dagger\end{aligned}\quad (15)$$

where  $\gamma^2 = -1$  which stands for requirement of indefinite metric and  $\theta$  is a phase difference between the localized and unobservable potentials. These operators can be identified as a quantization of (9). The unobservable potentials also exist in path1 with the localized potentials in-phase, i. e.,  $\hat{a}_1 = \hat{a} + \hat{a}_2$  ( $\theta = 0$ ) =  $\hat{a} \equiv \hat{a}_1$ . Then we can obtain

$$\begin{aligned}\hat{a}_2^\dagger\hat{a}_2 &= -\frac{1}{4}\hat{a}_1^\dagger\hat{a}_1 - \frac{1}{4}\hat{a}_1^\dagger\hat{a}_1 + \frac{1}{4}e^{i\theta}\hat{a}_1^\dagger\hat{a}_1 + \frac{1}{4}e^{-i\theta}\hat{a}_1^\dagger\hat{a}_1 \\ &= -\frac{1}{2}\hat{a}_1^\dagger\hat{a}_1 + \frac{1}{2}\hat{a}_1^\dagger\hat{a}_1 \cos\theta \\ \hat{a}_1^\dagger\hat{a}_2 &= \frac{1}{2}\gamma e^{i\theta/2}\hat{a}_1^\dagger\hat{a}_1 - \frac{1}{2}\gamma e^{-i\theta/2}\hat{a}_1^\dagger\hat{a}_1 \\ \hat{a}_2^\dagger\hat{a}_1 &= \frac{1}{2}\gamma e^{-i\theta/2}\hat{a}_1^\dagger\hat{a}_1 - \frac{1}{2}\gamma e^{i\theta/2}\hat{a}_1^\dagger\hat{a}_1\end{aligned}\quad (16)$$

Finally the following interference is obtained.

$$\begin{aligned}\langle 1|\hat{a}_1^\dagger\hat{a}_1|1\rangle &= 1 \\ \langle 1|\hat{a}_2^\dagger\hat{a}_2|1\rangle &= -\frac{1}{2} + \frac{1}{2}\cos\theta \\ \langle 1|\hat{a}_1^\dagger\hat{a}_2|1\rangle &= \frac{1}{2}\gamma e^{i\theta/2} - \frac{1}{2}\gamma e^{-i\theta/2} \\ \langle 1|\hat{a}_2^\dagger\hat{a}_1|1\rangle &= \frac{1}{2}\gamma e^{-i\theta/2} - \frac{1}{2}\gamma e^{i\theta/2}\end{aligned}$$

$$\begin{aligned}\langle 1|\hat{a}_1^\dagger\hat{a}_1|1\rangle + \langle 1|\hat{a}_2^\dagger\hat{a}_2|1\rangle + \langle 1|\hat{a}_1^\dagger\hat{a}_2|1\rangle + \langle 1|\hat{a}_2^\dagger\hat{a}_1|1\rangle \\ = \frac{1}{2} + \frac{1}{2}\cos\theta\end{aligned}\quad (17)$$

Note that when we don't introduce indefinite metric  $\gamma$  in (15),  $\langle \hat{I} \rangle = \frac{3}{2} - \frac{1}{2}\cos\theta \not\propto \frac{1}{2} \pm \frac{1}{2}\cos\theta$ . In addition, when there only exist the unobservable potentials, i. e., no phase difference  $\theta = 0$ ,  $\langle |\hat{a}_2^\dagger\hat{a}_2| \rangle = 0$  which means we can not observe any physical entity at all. Where  $| \rangle$  is arbitrary states. This relation corresponds to  $\langle \zeta|\zeta \rangle = 0$  as described later.

The above calculation is based on Heisenberg picture. We can calculate the same interference based on Schrödinger picture. In Schrödinger picture, the interference can be calculated by using the output 1 (or 2:  $\frac{\pi}{2}$  phase difference) state  $|1\rangle_S + |\zeta\rangle$  and the electric field operator  $\hat{E} = \hat{a}_S$  at the output 1 (or 2). Because the operator is fixed in Schrödinger picture, the operator is obtained from the traditional quantization using (5). Where  $|1\rangle_S$  and  $|\zeta\rangle$  represent the states of a photon passes through path 1 and unobservable potentials passes through path 2 respectively. Because nothing is observed in path 2, we should recognize  $\langle \zeta|\zeta \rangle = 0$ . More precise definition as follows. Heisenberg operators are expressed as  $\hat{a}_1 = \hat{a}_S\hat{a}'_1$ ,  $\hat{a}_2 = \hat{a}_S\hat{a}'_2$  then  $(\hat{a}_1 + \hat{a}_2)|1\rangle = \hat{a}_S(\hat{a}'_1 + \hat{a}'_2)|1\rangle = \hat{a}_S(\hat{a}'_1|1\rangle + \hat{a}'_2|1\rangle) = \hat{a}_S(|1\rangle_S + |\zeta\rangle)$ . From (15),  $|\zeta\rangle$  is expressed using  $|1\rangle_S$  as

$$\begin{aligned}\hat{a}_2|1\rangle &= \hat{a}_S \left( \frac{1}{2}\gamma e^{i\theta/2}\hat{a}'_1 - \frac{1}{2}\gamma e^{-i\theta/2}\hat{a}'_1 \right) |1\rangle \\ &= \hat{a}_S \left( \frac{1}{2}\gamma e^{i\theta/2}|1\rangle_S - \frac{1}{2}\gamma e^{-i\theta/2}|1\rangle_S \right) \\ &= \hat{a}_S\hat{a}'_2|1\rangle = \hat{a}_S|\zeta\rangle\end{aligned}\quad (18)$$

Then

$$|\zeta\rangle \equiv \hat{a}'_2|1\rangle = \frac{1}{2}\gamma e^{i\theta/2}|1\rangle_S - \frac{1}{2}\gamma e^{-i\theta/2}|1\rangle_S \quad (19)$$

When  $\theta = 0$ ,  $|\zeta\rangle = 0$ , i. e.,  $\langle \zeta|\zeta \rangle = 0$

In this picture, the expectation value can be expressed as follows.

$$\begin{aligned}\langle \hat{I} \rangle &\propto (e^{i\theta}\langle 1|_S + \langle \zeta|) \hat{a}_S^\dagger \hat{a}_S (e^{-i\theta}|1\rangle_S + |\zeta\rangle) \\ &= 1 + \langle \zeta|\hat{a}_S^\dagger\hat{a}_S|\zeta\rangle + e^{i\theta}\langle 1|\zeta\rangle_S + e^{-i\theta}\langle \zeta|1\rangle_S \\ &= 1 - \frac{1}{2} + \frac{1}{2}\cos\theta = \frac{1}{2} + \frac{1}{2}\cos\theta\end{aligned}\quad (20)$$

In the above mathematical formula for the interference by Schrödinger picture, there is no mathematical solution in usual Hilbert space. Therefore the unobservable potentials, which can not be observed alone, must be regarded as a vector in indefinite metric Hilbert space as can be seen from (19). Although the explicit expression such as (19) has not been reported, the same kind of unobservable vector has been introduced as "ghost" in quantum field theory. [31-34] We also call  $|\zeta\rangle$  "ghost"

in this paper though this "ghost" has a different definition. The traditional "ghost" was introduced mathematically as an auxiliary field for consistent with relativistic covariance of the theory and had no effect on physical phenomena. However, the above "ghost" is a physical field which causes the interferences or is essential for the interferences instead of the mathematical auxiliary field.

From the equation (11) and (20), the unobservable potentials pass through path 2 produce the single photon interference as if the photon passes through the both paths in cooperation with a photon field passes through path 1.

The photon number should be proportional to  $C_E$  squared as can be seen in equation (3). However unobservable potentials  $\mathbf{C}$  and  $\phi$  or (7), which express "ghost", are not proportional to it as mentioned above. Therefore, the interference effect will be drop off when there are a large number of photons. This will be the reason why quantum effects are hardly observed in macroscopic scale.

Note that the superposition principle may be used as a nice mathematical tool to simplify analyses in mixed states. However when we use the superposition principle in single photon case and fail to understand the mechanism of the single photon interference as described above, we may plunge into deniable engineering applications based on reduction of wave packet.

#### IV. POTENTIALS AND ELECTRON

In this section, we first consider two pinholes electron wave interference in classical manner. Figure 2 shows schematic view of a typical setup for the 2-slits (2-pinholes) single electron interference experiment. [25, 35]

The propagating electron can be identified as an electron beam whose space current density is  $j = Nqv$ , where  $N$  is the number of electron per unit volume,  $q$  is the electron charge and  $v$  is the electron velocity. When the radius of the electron beam is  $w_0$ , the current  $I$  can be expressed as  $I = \pi w_0^2 j$ . According to Biot-Savart Law, the propagation generates magnetic fields and potentials around the propagation path.

Assume that the electron propagates parallel to z-axis at a constant velocity. Then, the vector potentials around the propagation path are expressed as [35, 36]

$$\begin{aligned} A_x &= A_y = 0 \\ A_z &= \frac{I}{2\pi\epsilon_0 c^2} \ln \frac{1}{r} \end{aligned} \quad (21)$$

where  $r = \sqrt{x^2 + y^2}$ ,  $\epsilon_0$  is the permittivity and  $c$  is the speed of light.

Therefore the vector potential clearly passes through not only the pinhole the electron passes through but also the opposite pinhole.

Even if we apart from this easy consideration, the electron motion definitely generates potentials. Therefore,

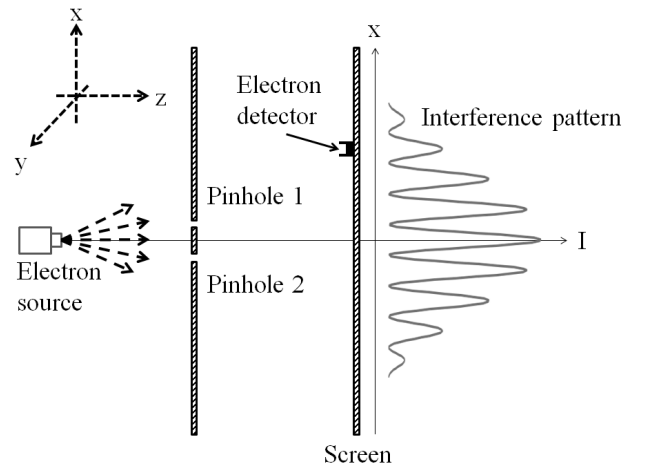


FIG. 2. Schematic view of a typical setup for the 2-slits (2-pinholes) single electron interference experiment.

when we consider the electron motion, we must take the potentials.

In next section, we consider the two pinholes interference in quantum mechanical manner with consideration for the potentials.

#### V. INTERFERENCE OF SINGLE ELECTRON

In a quantum mechanical description, the 2-slits (pinholes) single electron interference is typically explained by the probability (density) of finding the electron on the screen. [35]

$$P_{12} = |\phi_1 + \phi_2|^2 \quad (22)$$

Where  $\phi_1 = \langle x|1\rangle\langle 1|s\rangle$  and  $\phi_2 = \langle x|2\rangle\langle 2|s\rangle$ , which are composed of probability amplitudes

$\langle 1_{\text{or}}2|s\rangle$ : "(electron arrives at pinhole 1 or 2|electron leaves  $s$  (electron source))" and

$\langle x|1_{\text{or}}2\rangle$ : "(electron arrives at screen  $x$ |electron leaves pinhole 1 or 2)".

When either pinhole 1 or 2 is closed, the each and total probabilities are calculated to be  $P_1 = |\phi_1|^2$ ,  $P_2 = |\phi_2|^2$  and  $P = P_1 + P_2 \neq P_{12}$ . Therefore we must admit the electron passes through both pinholes at the same time despite an electron can not be split off, which forces us to introduces a concept of quantum-superposition states

However we can examine the states of the localized electron propagation and unobservable potentials instead of the quantum-superposition state as mentioned above.

In such a case, the electron wave functions should be

expressed as follows.

$$\begin{aligned}\psi'_1 &= \psi_1 \cdot \exp \left[ i \frac{q}{\hbar} \int_{s \rightarrow \text{Pinhole1} \rightarrow \text{screen}} (\phi_{\text{uo}} dt - \mathbf{A}_{\text{uo}} \cdot d\mathbf{x}) \right] \\ \psi'_2 &= \psi_2 \cdot \exp \left[ i \frac{q}{\hbar} \int_{s \rightarrow \text{Pinhole2} \rightarrow \text{screen}} (\phi_{\text{uo}} dt - \mathbf{A}_{\text{uo}} \cdot d\mathbf{x}) \right]\end{aligned}\quad (23)$$

where,  $\psi'_1$  and  $\psi'_2$  are the electron wave functions on the screen passing through pinhole 1 and 2 with the unobservable potentials respectively.  $\psi_1$  and  $\psi_2$  are the electron wave functions heading to pinhole 1 and 2 at the electron source without the effects of the unobservable potentials.  $\phi_{\text{uo}}$  and  $\mathbf{A}_{\text{uo}}$  include not only the unobservable potentials expressed as (7) but also the unobservable part of the potentials generated by localized potentials such as (3) and (21).

Then the probability of finding the electron on the screen by using these wave functions can be described as follows,

$$\begin{aligned}P_{12} &\propto |\psi'|^2 = |\psi'_1 + \psi'_2|^2 \\ &= |\psi_1|^2 + |\psi_2|^2 \\ &\quad - 2\text{Re} \left( \exp \left[ i \frac{q}{\hbar} \oint_{s \rightarrow 1 \rightarrow \text{screen} \rightarrow 2 \rightarrow s} (\phi_{\text{uo}} dt - \mathbf{A}_{\text{uo}} \cdot d\mathbf{x}) \right] \psi_1^* \psi_2 \right)\end{aligned}\quad (24)$$

where 1 and 2 of the integration path denote pinhole 1 and 2 respectively. This description is identical to Aharonov-Bohm effect. [27]

In case of single electron interference, we can find the electron at pinhole 1 without fail but not at pinhole 2, i.e.,  $|\psi_1|^2 = 1$  and  $|\psi_2|^2 = 0$ . Although the exact expression should be  $\int |\psi_{1\text{or}2}|^2 d\mathbf{V} = 1$  or 0 instead of the probability densities, we continue analysis with  $|\psi_1|^2 = 1$  and  $|\psi_2|^2 = 0$  for simplification.

When we introduce a phase difference  $\theta$  between  $\psi_1$  and  $\psi_2$ ,  $P_{12}$  expresses the interference as follows,

$$P_{12} \propto 1 - 2\text{Re}(\exp i[\phi + \theta] \psi_1^* \psi_2) \quad (25)$$

where  $\phi = \frac{q}{\hbar} \oint_{s \rightarrow 1 \rightarrow \text{screen} \rightarrow 2 \rightarrow s} (\phi_{\text{uo}} dt - \mathbf{A}_{\text{uo}} \cdot d\mathbf{x})$ .

Note that when  $\theta$  is fixed, the interference can be observed on the screen as a function of  $\phi$ , i.e., position on the screen. When  $\phi$  is fixed, the interference can be observed on a fixed position of the screen as a function of  $\theta$ .

However, the wave function  $\psi_2$  as a probability density must satisfy incoherent expressions, i.e.,  $\psi_1^* \psi_2 \neq 0$  and  $|\psi_2|^2 = 0$ .

Then in order to clarify the exact probability representation, we introduce the electron number states  $|n\rangle$  that means there are  $n$  electrons and charge operator  $\mathbf{Q} \equiv \int d^3x j_0(x)$  defined by a conserved current  $j_\mu = (q, \mathbf{i})$ , i.e.,  $\partial^\mu j_\mu = \frac{\partial q}{\partial t} + \nabla \cdot \mathbf{i} = 0$ . The charge operator satisfies  $\mathbf{Q}|n\rangle = nq|n\rangle$ , which means the  $n$  electron state is the eigenstate of  $\mathbf{Q}$ . [37, 38]

Because the charge operator satisfies the Maxwell equations and  $\mathbf{Q}$  will corresponds to the expression of photon number operator  $\mathbf{n} = \hat{a}^\dagger \hat{a}$ , we can regard  $\mathbf{Q}$  as

combinations of indefinite metric operators as same as (15), i. e.,

$$\begin{aligned}\mathbf{Q} &= \hat{q}_1^\dagger \hat{q}_1 \\ \hat{q}_2 &= \frac{1}{2} \gamma e^{i\theta/2} \hat{q}_1 - \frac{1}{2} \gamma e^{-i\theta/2} \hat{q}_1 \\ \hat{q}_2^\dagger &= \frac{1}{2} \gamma e^{-i\theta/2} \hat{q}_1^\dagger - \frac{1}{2} \gamma e^{i\theta/2} \hat{q}_1^\dagger\end{aligned}\quad (26)$$

Then we can obtain the single electron interference as same manner as (17) in Heisenberg picture, i. e.,

$$\langle I \rangle = \langle \psi | \left( \hat{q}_1^\dagger + \hat{q}_2^\dagger \right) (\hat{q}_1 + \hat{q}_2) | \psi \rangle = q \left\{ \frac{1}{2} + \frac{1}{2} \cos \theta \right\} \quad (27)$$

where  $\langle I \rangle$  is the expectation value of charge intensity.

Similarly, the interference of Schrödinger picture can be calculated as follows.

$$\begin{aligned}\langle I \rangle &= (e^{-i\phi_1} \langle \psi_1 | + e^{-i\phi_2} \langle \psi_2 |) \mathbf{Q}_S (e^{i\phi_1} | \psi_1 \rangle + e^{i\phi_2} | \psi_2 \rangle) \\ &= q + \langle \psi_2 | \mathbf{Q}_S | \psi_2 \rangle \\ &\quad + q e^{i(\theta-\phi)} \langle \psi_1 | \psi_2 \rangle + q e^{-i(\theta-\phi)} \langle \psi_2 | \psi_1 \rangle \\ &= q \left\{ \frac{1}{2} + \frac{1}{2} \cos \theta \right\}\end{aligned}\quad (28)$$

where the charge operator of Schrödinger picture  $\mathbf{Q}_S$  is obtained from  $\langle \psi | \mathbf{Q} | \psi \rangle = \langle \psi | \hat{q}_1^\dagger \hat{q}_1 | \psi \rangle = \langle \psi | \hat{q}_1^\dagger \mathbf{Q}_S \hat{q}_1 | \psi \rangle = \langle \psi | \mathbf{Q}_S | \psi \rangle$ . Therefore state of  $\hat{q}'_1 | \psi \rangle = | \psi \rangle_S \equiv | \psi_1 \rangle$  and  $\hat{q}'_2 | \psi \rangle = \frac{1}{2} \gamma e^{i\theta/2} \hat{q}'_1 | \psi \rangle - \frac{1}{2} \gamma e^{-i\theta/2} \hat{q}'_1 | \psi \rangle = \frac{1}{2} \gamma e^{i\theta/2} | \psi \rangle_S - \frac{1}{2} \gamma e^{-i\theta/2} | \psi \rangle_S \equiv | \psi_2 \rangle$  can be recognized as follows.

"an electron passes through pinhole 1 with the unobservable potentials" as  $e^{i\phi_1} | \psi_1 \rangle$  with  $P_1 = \langle \psi_1 | \psi_1 \rangle = \int |\psi_1|^2 d\mathbf{V} = 1$   
and

"no electron passes through pinhole 2 with the unobservable potentials" as  $e^{i\phi_2} | \psi_2 \rangle$  with  $P_2 = \langle \psi_2 | \psi_2 \rangle = \int |\psi_2|^2 d\mathbf{V} = 0$ .

In these states,  $\phi_1$ ,  $\phi_2$  and  $\phi = \phi_1 - \phi_2$  correspond to the phase terms of (23) and (24). However,  $\phi$  does not seem to be the origin of the single electron interference. Aharonov-Bohm effect will be observed when there are substantial electrons in both pinholes. The single electron interference will originate from the unobservable potentials with indefinite metric.

The above discussion suggests that the unobservable potentials produce phase shift of the electron wave functions or electron states and will correspond to gauge fields introduced by gauge transformation of the second kind as can be seen from (23). Hence, we can recognize the state "no electron passes through pinhole 2 with the unobservable potentials" generates the phase difference for the interference without electron charges.

In the above expression for  $|\psi_2\rangle$ , there is no mathematical solution in usual Hilbert space. Therefore the state of "no electron passes through pinhole 2 with the unobservable potentials" must also be regarded as a vector with zero probability amplitude in indefinite metric

Hilbert space as can be seen from (26) and we can express the quantum state of the interference without quantum-superposition state.

Note that the calculation using the superposition state of (24) is valid in case of mixed state whose probability is statistical sense. The superposition states are convenient for application to interference phenomena, however the states do not reflect the right mechanism of nature, which means there are great possibility the quantum application using wave packet reduction of single photon and electron interference will be unavailable.

## VI. DISCUSSION

### A. uncertainty principle and the reduction of the wave packet

By the existence of the unobservable potentials, Heisenberg's uncertainty principle can be explained independently of measurements. In addition, the paradox of the reduction of the wave packet typified by "Schrödinger's cat" and "Einstein, Podolsky and Rosen (EPR)" [1, 2] can be solved, because the origins of both are quantum-superposition state.

Former results insist the states of path 1 and 2 or pinhole 1 and 2 by Schrödinger picture are defined when the system is prepared expressed as a substantial single photon or electron and the unobservable potentials respectively and each state does not split off such as quantum-superposition state, which means there is no reduction of the wave packet.

"When the system is prepared" corresponds to immediately after the branching point of the optical MZI or the pinholes. Which path or pinhole does the photon or electron select is unpredictable but after the selection, the state is fixed instead of quantum-superposition state. The concept of these states is identical with mixed states rather than pure states formed by quantum-superposition, which suggests there is no concept of quantum-superposition state.

As for Heisenberg's uncertainty principle, we can clearly recognize it as trade-offs derived from Fourier transform non-related to measurement, which correspond to the canonical commutation relation.

### B. zero-point energy

From (14) and  $\langle 0|\hat{a}_1^\dagger\hat{a}_1|0\rangle = 0$ , traditional zero-point energy has been recognized as  $\langle 0|\hat{\mathcal{H}}|0\rangle = \frac{1}{2}\hbar\omega$ , i. e.,

$$\begin{aligned}\langle 0|\hat{a}_1^\dagger\hat{a}_1|0\rangle &= \frac{1}{\hbar\omega}\langle 0|\left(\hat{\mathcal{H}} - \frac{1}{2}\hbar\omega\right)|0\rangle \\ &= \frac{1}{\hbar\omega}\left(\langle 0|\hat{\mathcal{H}}|0\rangle - \frac{1}{2}\hbar\omega\right) = 0\end{aligned}\quad (29)$$

This traditional fixed zero-point energy originates from the definition of the electric field operators in (12) without the unobservable potentials. However we have obtained the idea that there are unobservable potentials in whole space. Then we should replace (12) with followings.

$$\begin{aligned}\hat{a}_1 + \hat{a}_2 &= \frac{1}{\sqrt{2\hbar\omega}}(\omega\hat{q} + i\hat{p}) \\ \hat{a}_1^\dagger + \hat{a}_2^\dagger &= \frac{1}{\sqrt{2\hbar\omega}}(\omega\hat{q} - i\hat{p})\end{aligned}\quad (30)$$

Therefore Hamiltonian will be the same expression of the interference as follows.

$$\hat{\mathcal{H}} = \hbar\omega\left(\hat{a}_1^\dagger\hat{a}_1 + \hat{a}_2^\dagger\hat{a}_2 + \hat{a}_1^\dagger\hat{a}_2 + \hat{a}_2^\dagger\hat{a}_1\right) + \frac{1}{2}\hbar\omega\quad (31)$$

Then the energy of single photon state also fluctuates.

$$\langle 1|\hat{\mathcal{H}}|1\rangle = \frac{1}{2}\hbar\omega\langle 1|\hat{a}_1^\dagger\hat{a}_1|1\rangle + \frac{1}{2}\hbar\omega\langle 1|\hat{a}_1^\dagger\hat{a}_1|1\rangle\cos\theta + \frac{1}{2}\hbar\omega\quad (32)$$

Because a single photon can be observed when  $\theta = \pm N\pi$ , ( $N$ : even numbers), then

$$\begin{aligned}\langle 1|\hat{\mathcal{H}}|1\rangle &= \frac{1}{2}\hbar\omega\langle 1|\hat{a}_1^\dagger\hat{a}_1|1\rangle + \frac{1}{2}\hbar\omega\langle 1|\hat{a}_1^\dagger\hat{a}_1|1\rangle + \frac{1}{2}\hbar\omega \\ &= \langle 1|\hat{a}_1^\dagger\hat{a}_1|1\rangle\hbar\omega + \frac{1}{2}\hbar\omega = \hbar\omega\end{aligned}\quad (33)$$

Therefore  $\langle 1|\hat{a}_1^\dagger\hat{a}_1|1\rangle = \frac{1}{2}$  which leads to the replacement of expectation value of photon numbers as follows

$$\langle 0|\hat{a}_1^\dagger\hat{a}_1|0\rangle = -\frac{1}{2}, \quad \langle 1|\hat{a}_1^\dagger\hat{a}_1|1\rangle = \frac{1}{2}, \quad \langle 2|\hat{a}_1^\dagger\hat{a}_1|2\rangle = \frac{3}{2}, \quad \dots\quad (34)$$

Traditionally,  $\langle 0|\hat{a}_1^\dagger\hat{a}_1|0\rangle$  has been considered to be 0. However we should recognize  $\langle 0|\hat{a}_1^\dagger\hat{a}_1|0\rangle = -\frac{1}{2}$  which requires indefinite metric.

Then absolute value of the single photon interference moves depending on the selection of  $\langle 0|\hat{a}_1^\dagger\hat{a}_1|0\rangle$ . However  $\langle \hat{I} \rangle \propto \frac{1}{2} \pm \frac{1}{2} \cos\theta$  is maintained.

By using the expectation value, zero-point energy is calculated to be

$$\begin{aligned}\langle 0|\hat{\mathcal{H}}|0\rangle &= \frac{1}{2}\hbar\omega\langle 0|\hat{a}_1^\dagger\hat{a}_1|0\rangle + \frac{1}{2}\hbar\omega\langle 0|\hat{a}_1^\dagger\hat{a}_1|0\rangle\cos\theta + \frac{1}{2}\hbar\omega \\ &= \frac{1}{4}\hbar\omega - \frac{1}{4}\hbar\omega\cos\theta\end{aligned}\quad (35)$$

The zero-point energy also fluctuates. Note that if  $\hat{a}_2 = \gamma\hat{a}_1$ ,

$$\hat{a}_2^\dagger\hat{a}_2 = -\hat{a}_1^\dagger\hat{a}_1 = \frac{1}{\hbar\omega}\left(\hat{\mathcal{H}} - \frac{1}{2}\hbar\omega\right)\quad (36)$$

Hence the isolate indefinite metric potentials may possess negative energies. [31] However  $\hat{a}_2 \neq \gamma\hat{a}_1$  as can be seen from (15) and can not be isolated but combined instead such as (30), the negative energies can only appear through the interference with the localized potentials.

The zero-point energy has been measured through Casimir effect. [39–43] The above new insight explains there are energy fluctuation in vacuum due to the phase difference. The attractive force from this kind of fluctuation is identical with the basic concept of Van der Waals force which will be the origin of Casimir effect. [44]

Therefore the above calculation will not be inconsistent with Casimir effect.

### C. spontaneous symmetry breaking

Traditional treatment of the spontaneous symmetry breaking, which explores the possibility of  $\mathbf{Q}|0\rangle \neq 0$  or generally " $|0\rangle$  is not an eigenstate of  $\mathbf{Q}$ ", needs an intricate discussion using Goldstone boson or Higgs boson. [38, 45] Where  $|0\rangle$  is vacuum state.

However, the unobservable potentials eternally populate the whole of space as mentioned above and there are no electron at pinhole 2. Therefore the state of pinhole 2,  $e^{i\gamma_2}|\psi_2\rangle$ , can be identified as vacuum instead of  $|0\rangle$ . From the relation  $\langle\psi_2|\psi_2\rangle = 0$  as described above, if  $e^{i\gamma_2}|\psi_2\rangle$  is an eigenstate of  $\mathbf{Q}$ , i.e.,  $\mathbf{Q}e^{i\gamma_2}|\psi_2\rangle = \alpha e^{i\gamma_2}|\psi_2\rangle$ , then  $\langle\psi_2|e^{-i\gamma_2}\mathbf{Q}e^{i\gamma_2}|\psi_2\rangle = \alpha\langle\psi_2|\psi_2\rangle = 0$ , where  $\alpha$  is an eigenvalue. However from the discussion under (28),  $\langle\psi_2|e^{-i\gamma_2}\mathbf{Q}e^{i\gamma_2}|\psi_2\rangle = \langle\psi_2|\mathbf{Q}|\psi_2\rangle$  fluctuates between  $-q$  and 0 depending on the phase difference. Hence the vacuum  $e^{i\gamma_2}|\psi_2\rangle$  is not an eigenstate of  $\mathbf{Q}$ , which expresses the spontaneous symmetry breaking.

The above discussion that the new vacuum is filled with potentials (gauge fields) whose state exists under original ground state is identical with the spontaneous symmetry breaking using the analogy of superconductivity when we replace  $\mathbf{Q}$  with energy level reported by Y. Nambu and G. Jona-Lasinio. [46, 47] When the phase difference is fixed, the one vacuum is selected and the selection breaks symmetry of vacuum.

In addition, the spontaneous symmetry breaking by gauge fields leads to mass acquire of gauge fields (Higgs mechanism). [48]

Therefore the above discussion will not be inconsistent with traditional treatment of spontaneous symmetry breaking and the mass acquire mechanism.

### D. general treatment of single particle interferences

From (20) and (28), the single particle interferences can be expressed as following manner.

$$\begin{aligned} \langle I \rangle &= (\langle\phi| + \langle\zeta|) \mathbf{F} (|\phi\rangle + |\zeta\rangle) \\ &= f + \langle\zeta|\mathbf{F}|\zeta\rangle + f\langle\phi|\zeta\rangle + f\langle\zeta|\phi\rangle \end{aligned} \quad (37)$$

Then when  $\langle\zeta|\mathbf{F}|\zeta\rangle + f\langle\phi|\zeta\rangle + f\langle\zeta|\phi\rangle = -\frac{1}{2}f + \frac{1}{2}f\cos\theta$ , single particle interferences of  $\mathbf{F}$ , i.e.,  $\langle I \rangle = f\{\frac{1}{2} + \frac{1}{2}\cos\theta\}$  can be generated. Where  $\mathbf{F}$  is an arbitrary observable operator of the particle,  $|\phi\rangle$  is an eigenstate of  $\mathbf{F}$ ,  $f$  is the eigenvalue of  $\mathbf{F}$  under state  $|\phi\rangle$  and

$|\zeta\rangle$  is an indefinite metric vector expressing unobservable potentials. In case of Maxwell equations as described in this paper,  $|\zeta\rangle$  is identified as commutative gauge fields (Abelian gauge fields). When we study multicomponent state  $|\phi\rangle$ ,  $|\zeta\rangle$  will be identified as non-commutative gauge fields (non-Abelian gauge fields). [49–52] However the above general treatment can be applied in both cases.

When  $\mathbf{F}$  is a number operator  $\mathbf{n}$  of the particle and  $|\phi\rangle$  is single particle state  $|\phi\rangle = |1\rangle$  in (37), the existence probability of the single particle fluctuates, i.e.,

$$\begin{aligned} (\langle 1| + \langle\zeta|) \mathbf{n} (|1\rangle + |\zeta\rangle) &= 1 + \langle\zeta|\mathbf{n}|\zeta\rangle + \langle 1|\zeta\rangle + \langle\zeta|1\rangle \\ &= \frac{1}{2} + \frac{1}{2}\cos\theta \end{aligned} \quad (38)$$

These kinds of self fluctuation of a particle will be consistent with neutrino oscillation. [53, 54]

## VII. SUMMARY

There are some unresolved paradoxes in quantum theory.

If we take advantage of the indefinite metric vectors as described in this report, the paradoxes can be removed. In addition, it can explain the uncertainty principle independently of measurements, eliminate zero-point energy on certain conditions and cause spontaneous symmetry breaking without complexity.

We should consistently introduce indefinite metric vectors because Maxwell equations are wave equations in Minkowski space. When we introduce state vectors in Minkowski space, indefinite metric vectors are absolutely required. The required vector should be recognized not only as an auxiliary field but also as a real physical field which is the root cause of single photon and electron interferences.

The results insist the vacuum space is filled with the unobservable potentials which can eternally exist as waves and correspond to gauge fields introduced by gauge transformation of the second kind.

This idea provides exactly the same calculation and experimental results by using quantum-superposition state because the phase difference between the photon or electron and the unobservable potentials provide the interferences as if the quantum-superposition state exists. In addition, the concept is based on an analogy from the expression of substantial localize electromagnetic fields or an electron and the unobservable potentials instead of curious quantum-superposition state that forces us to imagine a photon or an electron passes through the both paths or pinholes despite a photon or an electron can not be split off.

Furthermore, this idea will not be inconsistent with traditional treatment of Casimir effect, spontaneous symmetry breaking, the mass acquire mechanism and can be applied to non-Abelian gauge fields.

The superposition states are valid in case of mixed states whose probabilities are statistical sense. However,



quantum-superposition state is not valid in case of pure state whose probability is fundamental sense, though the superposition principle may be used as a nice mathematical tool to simplify analyses. Therefore, there is no concept of quantum-superposition state in nature, which insists fulfillment of engineering applications based on reduction of wave packet is pessimistic conclusion and Quantum theory is a kind of statistical physics.

The incompleteness of "Quantum theory", which has been alerted by A. Einstein, will originate from lack of introduction of indefinite metric. Quantum theory with introduction of indefinite metric will be complete.

M. Arndt and K. Hornberger have reviewed some testing of quantum mechanical superpositions, [11] we hope the results will be tested by those technologies.

## ACKNOWLEDGMENT

The author would like to thank K. Sato, Dr. S. Takasaka and Dr. S. Matsushita for their helpful discussions.

- 
- [1] J. D. Trimmer, "The present situation in quantum mechanics: A translation of Schrödinger's "cat paradox" paper," *Proceedings of the American Philosophical Society* **124**, 323–338 (1980).
- [2] A. Einstein, B. Podolsky, and N. Rosen, "Can quantum-mechanical description of physical reality be considered complete?" *Phys. Rev.* **47**, 777–780 (1935).
- [3] D. Bohm, "A suggested interpretation of the quantum theory in terms of "hidden" variables. i," *Phys. Rev.* **85**, 166–179 (1952).
- [4] D. Bohm, "A suggested interpretation of the quantum theory in terms of "hidden" variables. ii," *Phys. Rev.* **85**, 180–193 (1952).
- [5] J. S. BELL, "On the problem of hidden variables in quantum mechanics," *Rev. Mod. Phys.* **38**, 447–452 (1966).
- [6] X. Oriols and J. Mompart, "Overview of Bohmian Mechanics," arXiv e-prints (2012).
- [7] P. Pylkkänen, B. J. Hiley, and I. Pättiniemi, "Bohm's approach and Individuality," arXiv e-prints (2014).
- [8] D. Durr, S. Goldstein, T. Norsen, W. Struyve, and N. Zanghi, "Can Bohmian mechanics be made relativistic?" *Royal Society of London Proceedings Series A* **470**, 30699 (2013).
- [9] V. Allori, S. Goldstein, R. Tumulka, and N. Zanghi, "Predictions and Primitive Ontology in Quantum Foundations: A Study of Examples," arXiv e-prints (2012).
- [10] G. Dennis, M. A. de Gosson, and B. J. Hiley, "Fermi's ansatz and bohm's quantum potential," *Physics Letters A* **378**, 2363 – 2366 (2014).
- [11] M. Arndt and K. Hornberger, "Testing the limits of quantum mechanical superpositions," *Nature Physics*. **10**, 271–277 (2014).
- [12] J. Grond, U. Hohenester, J. Schmiedmayer, and A. Smerzi, "Mach-zehnder interferometry with interacting trapped bose-einstein condensates," *Phys. Rev. A* **84**, 023619 (2011).
- [13] G. D. McDonald, H. Keal, P. A. Altin, J. E. Debs, S. Bennetts, C. C. N. Kuhn, K. S. Hardman, M. T. Johnsson, J. D. Close, and N. P. Robins, "Optically guided linear mach-zehnder atom interferometer," *Phys. Rev. A* **87**, 013632 (2013).
- [14] G. Haack, M. Moskalets, J. Splettstoesser, and M. Büttiker, "Coherence of single-electron sources from mach-zehnder interferometry," *Phys. Rev. B* **84**, 081303 (2011).
- [15] S. Ngo Dinh, D. A. Bagrets, and A. D. Mirlin, "Analytically solvable model of an electronic mach-zehnder interferometer," *Phys. Rev. B* **87**, 195433 (2013).
- [16] M. Morimoto, "Proposal for a plasmonic mach-zehnder modulator utilizing quantum interference effect," *Selected Topics in Quantum Electronics, IEEE Journal of* **19**, 14–20 (2013).
- [17] A. Aspect, P. Grangier, and G. Roger, "Experimental tests of realistic local theories via bell's theorem," *Physical review letters* **47**, 460 (1981).
- [18] A. Aspect, P. Grangier, G. Roger *et al.*, "Experimental realization of einstein-podolsky-rosen-bohm gedankenexperiment: a new violation of bell's inequalities," *Physical review letters* **49**, 91–94 (1982).
- [19] A. Aspect, J. Dalibard, and G. Roger, "Experimental test of bell's inequalities using time-varying analyzers," *Physical review letters* **49**, 1804 (1982).
- [20] S. P. Walborn, M. O. Terra Cunha, S. Pádua, and C. H. Monken, "Double-slit quantum eraser," *Phys. Rev. A* **65**, 033818 (2002).
- [21] V. Jacques, E. Wu, F. Grosshans, F. m. c. Treussart, P. Grangier, A. Aspect, and J.-F. m. c. Roch, "Delayed-choice test of quantum complementarity with interfering single photons," *Phys. Rev. Lett.* **100**, 220402 (2008).
- [22] S. Longhi, "Classical and quantum interference in multi-band optical bloch oscillations," *Phys. Rev. B* **79**, 245108 (2009).
- [23] A. Danan, D. Farfurnik, S. Bar-Ad, and L. Vaidman, "Asking photons where they have been," *Phys. Rev. Lett.* **111**, 240402 (2013).
- [24] P. L. Saldanha, "Interpreting a nested mach-zehnder interferometer with classical optics," *Phys. Rev. A* **89**, 033825 (2014).
- [25] R. Bach, D. Pope, S.-H. Liou, and H. Batelaan, "Controlled double-slit electron diffraction," *New Journal of Physics* **15**, 033018 (2013).
- [26] M. Morimoto, "Non-Observable Potentials to Explain a Quantum Eraser and a Delayed-Choice Experiment ," <http://vixra.org/abs/1405.0006> (2014).
- [27] Y. Aharonov and D. Bohm, "Significance of electromagnetic potentials in the quantum theory," *Phys. Rev.* **115**, 485–491 (1959).
- [28] A. Tonomura, T. Matsuda, J. Endo, T. Arii, and K. Mihama, "Direct observation of fine structure of magnetic domain walls by electron holography," *Phys. Rev. Lett.* **44**, 1430–1433 (1980).

- [29] A. Tonomura, H. Umezaki, T. Matsuda, N. Osakabe, J. Endo, and Y. Sugita, “Is magnetic flux quantized in a toroidal ferromagnet?” *Phys. Rev. Lett.* **51**, 331–334 (1983).
- [30] R. Loudon, *The quantum theory of light* (Oxford University Press, 1983), 2nd ed.
- [31] P. A. M. Dirac, “The physical interpretation of quantum mechanics,” *Proc. Roy. Soc. London A* **180**, 1–39 (1942).
- [32] W. Pauli and F. Villars, “On the invariant regularization in relativistic quantum theory,” *Rev. Mod. Phys.* **21**, 434–444 (1949).
- [33] S. N. Gupta, “Quantum electrodynamics with auxiliary fields,” *Proc. Phys. Soc. A* **66**, 129–138 (1953).
- [34] T. D. Lee and G. C. Wick, “Finite theory of quantum electrodynamics,” *Phys. Rev. D* **2**, 1033–1048 (1970).
- [35] R. P. Feynman, R. B. Leighton, and M. L. Sands, *The Feynman Lectures on Physics Vol. II, III* (Addison-Wesley, 1965).
- [36] J. A. Stratton, *Electromagnetic Theory* (McGraw-Hill, 1941).
- [37] E. Karlson, *Proceedings of the Royal Society of London. Series A, Mathematical and Physical Sciences* **230**, 382–389 (1955).
- [38] C. Itzykson and J. B. Zuber, *Quantum Field Theory* (McGraw-Hill, 1985).
- [39] R. L. Jaffe, “Casimir effect and the quantum vacuum,” *Phys. Rev. D* **72**, 021301 (2005).
- [40] E. Myers, “Interpretation of the energy of the vacuum as the sum over zero-point energies,” *Phys. Rev. Lett.* **59**, 165–168 (1987).
- [41] S. K. Lamoreaux, “Demonstration of the casimir force in the 0.6 to  $6\mu\text{m}$  range,” *Phys. Rev. Lett.* **78**, 5–8 (1997).
- [42] U. Mohideen and A. Roy, “Precision measurement of the casimir force from 0.1 to  $0.9\mu\text{m}$ ,” *Phys. Rev. Lett.* **81**, 4549–4552 (1998).
- [43] I. Brevik, V. N. Marachevsky, and K. A. Milton, “Identity of the van der waals force and the casimir effect and the irrelevance of these phenomena to sonoluminescence,” *Phys. Rev. Lett.* **82**, 3948–3951 (1999).
- [44] W. Arnold, S. Hunklinger, and K. Dransfeld, “Influence of optical absorption on the van der waals interaction between solids,” *Phys. Rev. B* **19**, 6049–6056 (1979).
- [45] J. Goldstone, A. Salam, and S. Weinberg, “Broken symmetries,” *Phys. Rev.* **127**, 965–970 (1962).
- [46] Y. Nambu and G. Jona-Lasinio, “Dynamical model of elementary particles based on an analogy with superconductivity. i,” *Phys. Rev.* **122**, 345–358 (1961).
- [47] Y. Nambu and G. Jona-Lasinio, “Dynamical model of elementary particles based on an analogy with superconductivity. ii,” *Phys. Rev.* **124**, 246–254 (1961).
- [48] P. W. Higgs, “Broken symmetries and the masses of gauge bosons,” *Phys. Rev. Lett.* **13**, 508–509 (1964).
- [49] C. N. Yang and R. L. Mills, “Conservation of isotopic spin and isotopic gauge invariance,” *Phys. Rev.* **96**, 191–195 (1954).
- [50] T. T. Wu and C. N. Yang, “Concept of nonintegrable phase factors and global formulation of gauge fields,” *Phys. Rev. D* **12**, 3845–3857 (1975).
- [51] S. Weinberg, “A model of leptons,” *Phys. Rev. Lett.* **19**, 1264–1266 (1967).
- [52] R. Utiyama, “Invariant theoretical interpretation of interaction,” *Phys. Rev.* **101**, 1597–1607 (1956).
- [53] A. K. Mann and H. Primakoff, “Neutrino oscillations and the number of neutrino types,” *Phys. Rev. D* **15**, 655–665 (1977).
- [54] G. Feldman, J. Hartnell, and T. Kobayashi, “Long-baseline neutrino oscillation experiments,” *Adv. High Energy Phys.* **2013**, 475749 (2013).

# 単一光子、電子干渉を説明する観測不可能なゲージ場

森本 政仁<sup>1,\*</sup>

<sup>1</sup> 古河電気工業株式会社 情報通信・エネルギー研究所  
千葉県市原市八幡海岸通 6 番地 〒 290-8555

単一光子、電子干渉を、局在した光子や電子ビームと観測不可能なポテンシャルの状態と仮定すれば、量子重ね合わせ状態を用いずに計算できることを示す。検討結果から、観測不可能なポテンシャルは確率振幅 0 の不定計量ベクトルと見做すことが可能である。この結果は、量子重ね合わせの概念を否定し、不確定性原理の正しい理解、波束の収縮のパラドックスの解消、ある状況でのゼロ点エネルギーの消去および自発的対称性の破れを導く。この結果は量子理論が統計物理の一種であることを主張する。

## I. はじめに

量子論の基礎概念は量子重ね合わせ状態である。系の任意の状態は、その固有状態の重ね合わせである純粋状態で記述することができる。この概念を用いた計算は実験結果と一致し、この概念無しには単一光子、電子干渉は説明できない。干渉だけでなく、エンタングル状態も説明できない。

しかし、この概念は”シュレディンガーの猫”や”Einstein, Podolsky and Rosen (EPR)”に代表される波束の収縮のパラドックスに繋がっている。[1, 2]

量子論をパラドックスなしに解釈する為、de Broglie や Bohm は所謂”隠れた変数”理論を提唱した。[3, 4] ”隠れた変数”は否定されたが [5]、この理論は相対論と存在論に適合するように拡張されている。[6-10] しかし現状では、この拡張は未完である。

このパラドックスに関して多くの議論が交わされたが、近年の量子干渉に関する報告は、この概念の妥当性を納得させるものである。例えば、幾つかの実験による量子重ね合わせが考察された。[11] Bose-Einstein 凝縮 (BEC) を用いた原子干渉も理論的、実験的に報告された。[12, 13] 電子 MZI 干渉計内の Aharonov-Bohm 効果による単一電子または電子-電子干渉のコヒーレンス長が理論的に議論された。[14, 15] 著者も Aharonov-Bohm 効果を使ったコヒーレント電子波の干渉によるプラズモン変調器を検討した。[16] エンタングル状態は実験的にも理論的にも広く議論されている。[17-22] 入子状になった MZI 干渉計と振動モータによる光子干渉が測定され解析された。[23, 24] 2スリット電子干渉は実験的にもデモンストレーションされた。[25] 我々の考察によれば BEC は純粋状態というより、コヒーレントな混合状態に相当する。エンタングル状態、入子 MZI による干渉および Aharonov-Bohm 効果に関する報告 [14-16, 21-24] ではパラドックスを解決できない。

BEC やボソン化系は純粋状態というよりコヒーレンスの有無がある混合状態であり、どの報告もパラドックスを解決できていない。

ここで、我々はパラドックスを解決可能な単一光子、電子干渉の新たな知見を提供する。この知見によれば、自然界には基本的な意味での確率を持った量子重ね合わせ状態と純粋状態という概念は存在せず、統計的な意味での確率を持った混合状態の概念だけが妥当である。この知見は新

規で重要な結果、観測とは無関係な不確定性原理の理解、人為的な引き算を伴わないある条件下でのゼロ点エネルギーの除去、複雑な説明の不要な自発的対称性の破れの導出および量子論は一種の統計物理学であるという認識、を与える。

更にこの知見は、妥当性を報告されてきたエンタングル状態も自然界には妥当でないと結論される。[17-22] この知見に基づいたエンタングル状態については他のレターで議論する。[26]

第 II 章では、単一光子が実体のある (局在した) 光子と観測不可能なポテンシャルで表すことができることを、簡易なガウシアン光ビームを使って例示する。更に、ゲージ不変性を用いたより一般的な記述を示す。

第 IV 章では、2スリット電子干渉実験もポテンシャルの存在を考慮するべきである事を簡単に説明する。第 III と V 章では、量子重ね合わせ状態を用いず、実体のある光子または電子と、観測不可能なポテンシャルで表現した状態による単一干渉計算を示す。第 VI 章では、量子重ね合わせ状態に関係したパラドックス、ゼロ点エネルギー、自発的対称性の破れ、及び単一粒子干渉の一般的取り扱いを議論する。第 VII 章で、本報告をまとめる。

Aharonov と Bohm は観測不可能なポテンシャルが電子波干渉に影響を与える事を指摘し、その効果は外村らによって実験的に確認された。[27-29]

本報告はゲージ場と同一視される観測不可能なポテンシャルは、Aharonov-Bohm 効果だけでなく、単一光子、単一電子または任意の単一粒子場の干渉と、本報告の後部で記載する自然のゆらぎを生じさせることを指摘する。

ここでの議論は量子論の導入と同程度と非常に易しいが、その理由は量子論がこのような基礎的な概念で勘違いをしているからであり、自然の本質は簡潔なのだろう。

## II. MZI の古典電磁場 - ポテンシャルと光子

図 1 にマッハツェンダー干渉計 (Mach-Zehnder Interferometer : MZI) の概略図と座標系を示す。

まず、入力ビームを考察する。x-軸方向に偏波した角周波数  $\omega$ 、伝搬定数  $\beta$  の光ビームが z-軸方向に伝搬するとし、その光ビームの電界は、例えば断面形状がガウシアン分布で表せ、自由空間に良く局在化しているとする。

このとき、入力的光ビーム電界は以下のように表現で

\* Corresponding author: morimoto@ch.furukawa.co.jp

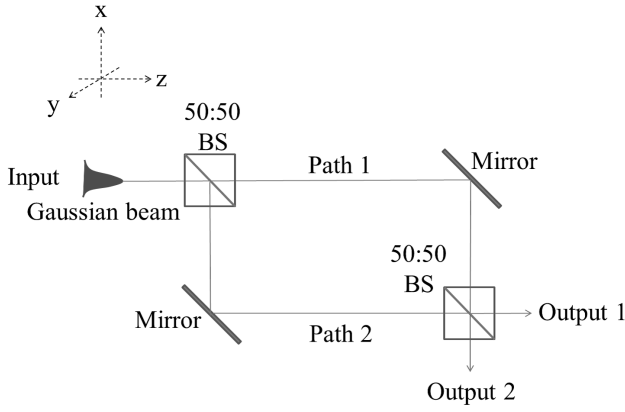


FIG. 1. MZI 干渉計の概略図. BS:ビームスプリッタ

きる。

$$\mathbf{E} = \mathbf{e}_x \cdot C_E \cdot \exp\left(-\frac{x^2 + y^2}{w_0^2}\right) \cdot \cos(\omega t - \beta z) \quad (1)$$

但し、 $\mathbf{e}_x$  は  $x$ -軸と平行の単位ベクトル、 $C_E$  はその 2 乗が強度に比例する任意定数、 $w_0$  は光ビーム半径である。 $\mathbf{E}$  と  $\mathbf{B}$  はベクトルポテンシャルとスカラーポテンシャルを用いて次のように書ける。

$$\begin{aligned} \mathbf{E} &= -\frac{\partial}{\partial t} \mathbf{A} - \nabla \phi \\ \mathbf{B} &= \nabla \times \mathbf{A} \end{aligned} \quad (2)$$

(1) と (2) から、 $\mathbf{A}$  はベクトル関数  $\mathbf{C}$  を用いて

$$\begin{aligned} \mathbf{A} &= -\frac{1}{\omega} \mathbf{e}_x \cdot C_E \cdot \exp\left(-\frac{x^2 + y^2}{w_0^2}\right) \cdot \sin(\omega t - \beta z) + \mathbf{C} \\ \frac{\partial}{\partial t} \mathbf{C} &= -\nabla \phi \end{aligned} \quad (3)$$

と表せる。 $\mathbf{C}$  を渦なしベクトル関数  $\nabla \times \mathbf{C} = 0$  とすることで  $\mathbf{B}$  が空間に局在化する。例えば、 $\mathbf{C}$  と  $\phi$  は任意のスカラー関数  $\lambda$  を用いて  $\mathbf{C} = \nabla \lambda$  と  $\nabla \left(\frac{\partial}{\partial t} \lambda + \phi\right) = 0$  と表現でき、 $\mathbf{B}$  は次のように計算される。

$$\begin{aligned} \mathbf{B} &= \nabla \times \mathbf{A} \\ &= \frac{\beta}{\omega} \mathbf{e}_y \cdot C_E \cdot \exp\left(-\frac{x^2 + y^2}{w_0^2}\right) \cdot \cos(\omega t - \beta z) \\ &\quad - \frac{2y}{\omega \cdot w_0^2} \mathbf{e}_z \cdot C_E \cdot \exp\left(-\frac{x^2 + y^2}{w_0^2}\right) \cdot \sin(\omega t - \beta z) \end{aligned} \quad (4)$$

よって、 $\mathbf{E}$  と  $\mathbf{B}$  は入力自由空間に局在化されている。一方、それ単体では観測不可能なベクトル、スカラーポテンシャルは必ずしも局在化されていない。

注意: ガウシアンビームは自由空間伝搬に伴い広がっていくが、伝搬ビームの半径  $w(z)$  は波長  $\lambda = 1\mu\text{m}$  で、初期半径  $w_0 = 10\text{mm}$  とすると、 $z = 100\text{m}$  伝搬しても約  $10.5\text{mm}$  であり、MZI の経路が数十 m 以下ならば、この伝搬広がりは無視できる。このビーム径は  $w(z) = w_0 \sqrt{1 + \left(\frac{\lambda z}{\pi w_0^2}\right)^2}$  で計算できる。

上記の局在形 (1) は一例であり、下記のように他の形状でも同様の議論が可能である。次の Maxwell 方程式を考察する。

$$\begin{aligned} \left(\Delta - \frac{1}{c^2} \frac{\partial^2}{\partial t^2}\right) \mathbf{A} - \nabla \left(\nabla \cdot \mathbf{A} + \frac{1}{c^2} \frac{\partial \phi}{\partial t}\right) &= -\mu_0 \mathbf{i} \\ \left(\Delta - \frac{1}{c^2} \frac{\partial^2}{\partial t^2}\right) \phi + \frac{\partial}{\partial t} \left(\nabla \cdot \mathbf{A} + \frac{1}{c^2} \frac{\partial \phi}{\partial t}\right) &= -\frac{\rho}{\varepsilon_0} \end{aligned} \quad (5)$$

$\mu_0$  は透磁率、 $\rho$  は電荷密度である。

ここで、ポテンシャル  $\mathbf{A}$ 、 $\phi$  を局在化した  $\mathbf{A}_1$ 、 $\phi_1$  と観測不可能な  $\mathbf{A}_{\text{uo}}$ 、 $\phi_{\text{uo}}$  に分割する。よって、Maxwell 方程式 (5) は次の方程式に分割される。

$$\begin{aligned} \left(\Delta - \frac{1}{c^2} \frac{\partial^2}{\partial t^2}\right) \mathbf{A}_1 - \nabla \left(\nabla \cdot \mathbf{A}_1 + \frac{1}{c^2} \frac{\partial \phi_1}{\partial t}\right) &= -\mu_0 \mathbf{i} \\ \left(\Delta - \frac{1}{c^2} \frac{\partial^2}{\partial t^2}\right) \phi_1 + \frac{\partial}{\partial t} \left(\nabla \cdot \mathbf{A}_1 + \frac{1}{c^2} \frac{\partial \phi_1}{\partial t}\right) &= -\frac{\rho}{\varepsilon_0} \end{aligned} \quad (6)$$

と

$$\begin{aligned} \left(\Delta - \frac{1}{c^2} \frac{\partial^2}{\partial t^2}\right) \mathbf{A}_{\text{uo}} - \nabla \left(\nabla \cdot \mathbf{A}_{\text{uo}} + \frac{1}{c^2} \frac{\partial \phi_{\text{uo}}}{\partial t}\right) &= 0 \\ \left(\Delta - \frac{1}{c^2} \frac{\partial^2}{\partial t^2}\right) \phi_{\text{uo}} + \frac{\partial}{\partial t} \left(\nabla \cdot \mathbf{A}_{\text{uo}} + \frac{1}{c^2} \frac{\partial \phi_{\text{uo}}}{\partial t}\right) &= 0 \end{aligned} \quad (7)$$

$\mathbf{i} = 0$  と  $\rho = 0$  で方程式 (6) は上記の自由空間での局在化した電磁場を記述する。

一方、(7) は (6) とは独立である。なお、(1) で考えたような  $z$ -軸に連続的に伝搬する光ビームではなく、波束のような光パルスビームを考えても、ビーム形状に関わらず観測不可能なポテンシャル (7) は独立である。更に、光ビームが無くても、観測不可能なポテンシャル (7) は存在する。よって、観測不可能なポテンシャルは光速で伝搬する Maxwell 方程式を満たす波動として全空間に絶え間なく存在する。もし、Lorentz 条件を (7) に適用すれば観測不可能なポテンシャルは全空間に調和振動子として存在する。

(7) は局在化した電磁場や電子の流れのゲージ不変性を表し、観測不可能なポテンシャルは良く知られた第 2 種ゲージ変換で得られるゲージ場である。

### III. 単一光子干渉

Maxwell 方程式を電磁場が重ね合わせの原理に従う古典的波動方程式とみれば、電場による干渉は重ね合わせの場合 (入力で分離された電場の重ね合わせ)  $\mathbf{E}_{\text{out}} = \frac{1}{2} \mathbf{E}_1 + \frac{1}{2} \mathbf{E}_2$  によって表現できる。

しかし、観測不可能なポテンシャルを用いると、下記のように重ね合わせを用いないで電場の干渉を計算できる。

$$\begin{aligned} \mathbf{E}_{\text{out}} &= -\frac{\partial}{\partial t} \mathbf{A}_1 - \nabla \phi_1 - \frac{\partial}{\partial t} \mathbf{A}_{\text{uo}} - \nabla \phi_{\text{uo}} \\ &= \mathbf{E}_1 - \frac{\partial}{\partial t} \mathbf{A}_{\text{uo}} - \nabla \phi_{\text{uo}} \end{aligned} \quad (8)$$

観測不可能なポテンシャルが次のような電場を形成すると、経路 1 を通った光子場と協力して片側の MZI 経路に

よる干渉が発生する。

$$-\frac{\partial}{\partial t}\mathbf{A}_{\text{uo}} - \nabla\phi_{\text{uo}} = \frac{1}{2}\mathbf{E}_2 - \frac{1}{2}\mathbf{E}_1 \quad (9)$$

下付き文字 1, 2 は MZI 経路 1, 2 を表す。

この上の議論は古典的描写である。しかし、重ね合わせの原理を粒子像、すなわち分割できない単一光子に適用すると量子パラドックスに繋がる。そこで、上記の古典的描写を観測不可能なポテンシャルを用いてパラドックス無しに量子的描写に翻訳する。

量子力学的記述では、光子干渉は電場演算子  $\hat{E} = \frac{1}{\sqrt{2}}\hat{a}_1 \exp(i\theta) + \frac{1}{\sqrt{2}}\hat{a}_2$  と数状態  $|n\rangle$  を導入して以下のように計算される。[30]

$\hat{a}_{1\text{or}2}$  は経路 1, 2 の電場演算子であり、 $\theta$  は位相差である。

$$\langle \hat{I} \rangle \propto \frac{1}{2}\langle n|\hat{a}_1^\dagger\hat{a}_1|n\rangle + \frac{1}{2}\langle n|\hat{a}_2^\dagger\hat{a}_2|n\rangle + \cos\theta\langle n|\hat{a}_1^\dagger\hat{a}_2|n\rangle \quad (10)$$

$\langle \hat{I} \rangle$  は光子数に比例する場の強度の期待値である。 $\hat{a}_{1\text{or}2}$  と  $\hat{a}_{1\text{or}2}^\dagger$  は入力電場演算子  $\hat{a}$  と  $\hat{a}^\dagger$  を用いて  $\hat{a} = \frac{\hat{a}_1 + \hat{a}_2}{\sqrt{2}}$  と  $\hat{a}^\dagger = \frac{\hat{a}_1^\dagger + \hat{a}_2^\dagger}{\sqrt{2}}$  で定義され  $\langle n|\hat{a}_1^\dagger\hat{a}_1|n\rangle = \langle n|\hat{a}_2^\dagger\hat{a}_2|n\rangle = \langle n|\hat{a}_1^\dagger\hat{a}_2|n\rangle = \frac{1}{2}n$  の関係を満たす。ここで、光子数が  $1 (n=1)$ 、すなわち単一光子の場合には上記の期待値は  $\langle \hat{I} \rangle \propto \frac{1}{4} + \frac{1}{4} + \frac{1}{2}\cos\theta = \frac{1}{2} + \frac{1}{2}\cos\theta$  と計算される。この従来方式においては、電場演算子は  $\mathbf{i}=0$  と  $\rho=0$  の条件の下で Coulomb ゲージを用いた (5) の量子化によって与えられる。

しかしながら、上記の観測不可能なポテンシャルの概念を用いると、別の記述が可能である。

光子数は (3) の  $C_E$  の平方根に比例する。一方、観測不可能なポテンシャル  $\mathbf{C}$  と  $\phi$  又は (7) は光子数に必ずしも比例しない。多数の光子があるときには、“どちらの経路を各光子が選ぶか”の確率は  $\frac{1}{2}$  であるべきだから、半分の光子が経路 1 を通り、残りが経路 2 を通ると仮定することは大数の法則から妥当である。この概念は、根本的な確率をもった量子重ね合わせ状態ではなく、統計的な確率をもった混合状態という概念である。

少数の光子しか無いときには、(3) の第 1 項で表される局在ポテンシャルが、残りの項で表される観測不可能なポテンシャル又は (7) と同程度となることに相当し、光子を表現する局在ポテンシャルだけが経路 1 を選んで通り、観測不可能なポテンシャルが経路 2 を通るという確率を考えるべきである。この考えは (6) と (7) にも適用できる。

この考えに従うと光子は経路 1 だけを通るので、演算子は  $\hat{E} = \frac{1}{\sqrt{2}}\hat{a}_1 \exp(i\theta) + \frac{1}{\sqrt{2}}\hat{a}_2$  ではなく、 $\langle 1|\hat{a}_1^\dagger\hat{a}_1|1\rangle = 1$  と  $\langle 1|\hat{a}_2^\dagger\hat{a}_2|1\rangle \neq 1$  を満たす  $\hat{E} = \hat{a}_1 \exp(i\theta) + \hat{a}_2$  を用いるべきである。但し  $\hat{a}_1$  は (5) ではなく (6) を用いて従来方式の量子化から得られる電場演算子であり、 $\hat{a}_2$  は (5) ではなく (7) を用いて従来方式の量子化から得られる経路 2 の全く形式的な演算子である。これは電場演算子ではなく、経路 2 の観測不可能なポテンシャルに関する何らかの量を形成する演算子である。

よって出力 1 ( $\frac{\pi}{2}$  の位相差は出力 2 に相当する) の期待

値は次のように表される。

$$\begin{aligned} \langle \hat{I} \rangle &\propto \langle 1|\hat{a}_1^\dagger\hat{a}_1|1\rangle + \langle 1|\hat{a}_2^\dagger\hat{a}_2|1\rangle \\ &\quad + e^{i\theta}\langle 1|\hat{a}_1^\dagger\hat{a}_2|1\rangle + e^{-i\theta}\langle 1|\hat{a}_2^\dagger\hat{a}_1|1\rangle \\ &= 1 + \langle 1|\hat{a}_2^\dagger\hat{a}_2|1\rangle \\ &\quad + e^{i\theta}\langle 1|\hat{a}_1^\dagger\hat{a}_2|1\rangle + e^{-i\theta}\langle 1|\hat{a}_2^\dagger\hat{a}_1|1\rangle \end{aligned} \quad (11)$$

ここで  $\langle 1|\hat{a}_2^\dagger\hat{a}_2|1\rangle + e^{i\theta}\langle 1|\hat{a}_1^\dagger\hat{a}_2|1\rangle + e^{-i\theta}\langle 1|\hat{a}_2^\dagger\hat{a}_1|1\rangle = -\frac{1}{2} + \pm\cos\theta$  なら、同一の干渉  $\langle \hat{I} \rangle \propto \frac{1}{2} \pm \frac{1}{2}\cos\theta$  が得られる。

より正確な計算は以下である。Coulomb ゲージを用いた量子光学の伝統的量子化手順は以下である。

$$\begin{aligned} \hat{a} &= \frac{1}{\sqrt{2\hbar\omega}}(\omega\hat{q} + i\hat{p}) \\ \hat{a}^\dagger &= \frac{1}{\sqrt{2\hbar\omega}}(\omega\hat{q} - i\hat{p}) \end{aligned} \quad (12)$$

但し  $\hat{q}$  と  $\hat{p}$  は交換関係  $[\hat{q}, \hat{p}] = i\hbar$  に従う位置と運動量の演算子である。調和振動子の Hamiltonian は下記で与えられる。

$$\hat{\mathcal{H}} = \frac{1}{2}(\hat{p}^2 + \omega^2\hat{q}^2) \quad (13)$$

よって、次の関係が得られる。

$$\begin{aligned} \hat{a}^\dagger\hat{a} &= \frac{1}{2\hbar\omega}(\hat{p}^2 + \omega^2\hat{q}^2 + i\omega\hat{q}\hat{p} - i\omega\hat{p}\hat{q}) \\ &= \frac{1}{\hbar\omega}\left(\hat{\mathcal{H}} - \frac{1}{2}\hbar\omega\right) \\ \hat{a}\hat{a}^\dagger &= \frac{1}{\hbar\omega}\left(\hat{\mathcal{H}} + \frac{1}{2}\hbar\omega\right) \end{aligned} \quad (14)$$

上記の従来式演算子は局在ポテンシャル、すなわち (6) の演算子に一致する。

そうすると、次のような観測不可能なポテンシャルの演算子は干渉を生じることが分かる。

$$\begin{aligned} \hat{a}_2 &= \frac{1}{2}\gamma e^{i\theta/2}\hat{a}_1 - \frac{1}{2}\gamma e^{-i\theta/2}\hat{a}_1 \\ \hat{a}_2^\dagger &= \frac{1}{2}\gamma e^{-i\theta/2}\hat{a}_1^\dagger - \frac{1}{2}\gamma e^{i\theta/2}\hat{a}_1^\dagger \end{aligned} \quad (15)$$

ここで、 $\gamma^2 = -1$  であり、これは不定計量の導入を意味し、 $\theta$  は局在ポテンシャルと観測不可能なポテンシャルの位相差である。

これらの演算子は (9) の量子化とみなすことが出来る。観測不可能なポテンシャルは経路 1 にも局在ポテンシャルとともに同相で存在する、すなわち  $\hat{a}_1 = \hat{a} + \hat{a}_2 (\theta=0) = \hat{a} \equiv \hat{a}_1$ 。よって

$$\begin{aligned} \hat{a}_2^\dagger\hat{a}_2 &= -\frac{1}{4}\hat{a}_1^\dagger\hat{a}_1 - \frac{1}{4}\hat{a}_1^\dagger\hat{a}_1 + \frac{1}{4}e^{i\theta}\hat{a}_1^\dagger\hat{a}_1 + \frac{1}{4}e^{-i\theta}\hat{a}_1^\dagger\hat{a}_1 \\ &= -\frac{1}{2}\hat{a}_1^\dagger\hat{a}_1 + \frac{1}{2}\hat{a}_1^\dagger\hat{a}_1 \cos\theta \\ \hat{a}_1^\dagger\hat{a}_2 &= \frac{1}{2}\gamma e^{i\theta/2}\hat{a}_1^\dagger\hat{a}_1 - \frac{1}{2}\gamma e^{-i\theta/2}\hat{a}_1^\dagger\hat{a}_1 \\ \hat{a}_2^\dagger\hat{a}_1 &= \frac{1}{2}\gamma e^{-i\theta/2}\hat{a}_1^\dagger\hat{a}_1 - \frac{1}{2}\gamma e^{i\theta/2}\hat{a}_1^\dagger\hat{a}_1 \end{aligned} \quad (16)$$

最終的に次の干渉が得られる。

$$\begin{aligned}\langle 1|\hat{a}_1^\dagger\hat{a}_1|1\rangle &= 1 \\ \langle 1|\hat{a}_2^\dagger\hat{a}_2|1\rangle &= -\frac{1}{2} + \frac{1}{2}\cos\theta \\ \langle 1|\hat{a}_1^\dagger\hat{a}_2|1\rangle &= \frac{1}{2}\gamma e^{i\theta/2} - \frac{1}{2}\gamma e^{-i\theta/2} \\ \langle 1|\hat{a}_2^\dagger\hat{a}_1|1\rangle &= \frac{1}{2}\gamma e^{-i\theta/2} - \frac{1}{2}\gamma e^{i\theta/2}\end{aligned}$$

$$\begin{aligned}\langle 1|\hat{a}_1^\dagger\hat{a}_1|1\rangle + \langle 1|\hat{a}_2^\dagger\hat{a}_2|1\rangle + \langle 1|\hat{a}_1^\dagger\hat{a}_2|1\rangle + \langle 1|\hat{a}_2^\dagger\hat{a}_1|1\rangle \\ = \frac{1}{2} + \frac{1}{2}\cos\theta\end{aligned}\quad (17)$$

もし (15) で不定計量を導入しなければ  $\langle \hat{I} \rangle = \frac{3}{2} - \frac{1}{2}\cos\theta \propto \frac{1}{2} \pm \frac{1}{2}\cos\theta$ 。また観測不可能なポテンシャルだけが存在する場合、すなわち位相差  $\theta = 0$  で  $\langle \hat{a}_2^\dagger\hat{a}_2 \rangle = 0$  であり、何の物理量も観測できないことを意味する。ただし  $|1\rangle$  は任意の状態である。この関係は後述する  $\langle \zeta|\zeta \rangle = 0$  に相当する。

上記の計算は Heisenberg 描像に基づいている。同一の干渉は Schrödinger 描像に基づいても計算できる。Schrödinger 描像では出力 1 ( $\frac{\pi}{2}$  の位相差は出力 2 に相当する) の状態  $|1\rangle_S + |\zeta\rangle$  と出力 1 (または 2) の電場演算子  $\hat{E} = \hat{a}_S$  を用いて干渉が計算できる。Schrödinger 描像では演算子は固定されており、(5) を従来方式で量子化することで得られる。  $|1\rangle_S$  と  $|\zeta\rangle$  は経路 1 を通る光子状態と経路 2 を通る観測不可能なポテンシャルの状態を表す。経路 2 では何も観測されないので  $\langle \zeta|\zeta \rangle = 0$  と認識すべきである。より正確な定義は以下である。Heisenberg 演算子は  $\hat{a}_1 = \hat{a}_S\hat{a}'_1$ 、 $\hat{a}_2 = \hat{a}_S\hat{a}'_2$  で記述されるので  $(\hat{a}_1 + \hat{a}_2)|1\rangle = \hat{a}_S(\hat{a}'_1 + \hat{a}'_2)|1\rangle = \hat{a}_S(\hat{a}'_1|1\rangle + \hat{a}'_2|1\rangle) = \hat{a}_S(|1\rangle_S + |\zeta\rangle)$  である。(15) より  $|\zeta\rangle$  は  $|1\rangle_S$  を用いて

$$\begin{aligned}\hat{a}_2|1\rangle &= \hat{a}_S\left(\frac{1}{2}\gamma e^{i\theta/2}\hat{a}'_1 - \frac{1}{2}\gamma e^{-i\theta/2}\hat{a}'_1\right)|1\rangle \\ &= \hat{a}_S\left(\frac{1}{2}\gamma e^{i\theta/2}|1\rangle_S - \frac{1}{2}\gamma e^{-i\theta/2}|1\rangle_S\right) \\ &= \hat{a}_S\hat{a}'_2|1\rangle = \hat{a}_S|\zeta\rangle\end{aligned}\quad (18)$$

である。よって

$$|\zeta\rangle \equiv \hat{a}'_2|1\rangle = \frac{1}{2}\gamma e^{i\theta/2}|1\rangle_S - \frac{1}{2}\gamma e^{-i\theta/2}|1\rangle_S\quad (19)$$

$\theta = 0$  の時、 $|\zeta\rangle = 0$  すなわち  $\langle \zeta|\zeta \rangle = 0$  である。

この描像では期待値は以下のように表せる。

$$\begin{aligned}\langle \hat{I} \rangle &\propto (e^{i\theta}\langle 1|_S + \langle \zeta|)\hat{a}_S^\dagger\hat{a}_S(e^{-i\theta}|1\rangle_S + |\zeta\rangle) \\ &= 1 + \langle \zeta|\hat{a}_S^\dagger\hat{a}_S|\zeta\rangle + e^{i\theta}\langle 1|\zeta\rangle_S + e^{-i\theta}\langle \zeta|1\rangle_S \\ &= 1 - \frac{1}{2} + \frac{1}{2}\cos\theta = \frac{1}{2} + \frac{1}{2}\cos\theta\end{aligned}\quad (20)$$

上記の Schrödinger picture 描像による干渉の数学的定式化では、一般の Hilbert 空間には数学的解がない。よってそれ単体では観測出来ない観測不可能なポテンシャルは (19) に見られるように不定計量の Hilbert 空間のベクトル

とみなさねばならない。(19) のような陽的表現は報告されていないが、同様の観測不可能なベクトルは "ghost" (おぼけ) として場の量子論に導入された。[31–34] ここでも  $|\zeta\rangle$  を "ghost" (おぼけ) と呼ぶが、この "ghost" (おぼけ) は従来の "ghost" (おぼけ) とは異なる。従来の "ghost" (おぼけ) は理論の相対的共変性の要請から数学的に導入された補助場であり、物理的現象には影響を与えない。しかし、ここでの "ghost" (おぼけ) は数学的な補助場ではなく、干渉を引き起こすまたは干渉に必須の物理的場である。

(11) と (20) より、経路 2 を通った観測不可能なポテンシャルは経路 1 を通った光子の場と協力して、光子があたかも両方の経路を通ったかのような干渉を生じる。

光子数は (3) より  $C_E$  の平方根に比例するべきである。しかし、"ghost" (おぼけ) を表す観測不可能なポテンシャル  $\mathbf{C}$  と  $\phi$  または (7) は上記のように比例するとは限らない。よって多数の光子があるときには、この干渉効果は見えなくなる。これが量子効果がマクロなスケールでは観測されない理由であろう。

注意：重ね合わせ原理は混合状態の解析を単純化する有用な数学的ツールとして使用可能である。しかし、上記のような単一光子干渉の仕組みの理解なしに重ね合わせの原理を単一光子干渉に利用すると、波束の収縮に基づいた実現に否定的な工学的応用に陥るだろう。

#### IV. ポテンシャルと電子

この章では、まず古典的な 2 ピンホールの電子波干渉を考える。図 2 に代表的な 2 スリット (2 ピンホール) 単一電子干渉実験の概略図を示す。[25, 35]

伝搬する電子は空間電流密度が  $j = Nqv$  の電子ビームと同一視できる。ここで  $N$  は単位体積辺りの電子数、 $q$  は電荷、 $v$  は電子速度である。電子ビームの半径が  $w_0$  のとき、電流  $I$  は  $I = \pi w_0^2 j$  で与えられる。ビオサバル (Biot-Savart) の法則によると、そのような伝搬はその経路の周りに磁場とポテンシャルを生じる。

電子伝搬は一定速度で  $z$ -軸に平行と仮定すると、伝搬経路の周りのベクトルポテンシャルは次のように表現される。[35, 36]

$$\begin{aligned}A_x &= A_y = 0 \\ A_z &= \frac{I}{2\pi\epsilon_0 c^2} \ln \frac{1}{r}\end{aligned}\quad (21)$$

但し  $r = \sqrt{x^2 + y^2}$  であり、 $\epsilon_0$  は誘電率、 $c$  は光速である。よって、このベクトルポテンシャルは明らかに電子が通ったピンホールだけでなく、逆のピンホールも通る。

この簡単な考察を離れても、電子の運動は明らかにポテンシャルを生じさせる。よって、電子の運動を考察するときには、ポテンシャルを考慮しなければならない。

次章では、このポテンシャルを考慮して 2 ピンホール電子干渉を量子力学的に考察する。

#### V. 単一電子干渉

量子力学的記述では、2 スリット (ピンホール) 単一電子干渉は代表的には電子をスクリーンに見出す確率 (密

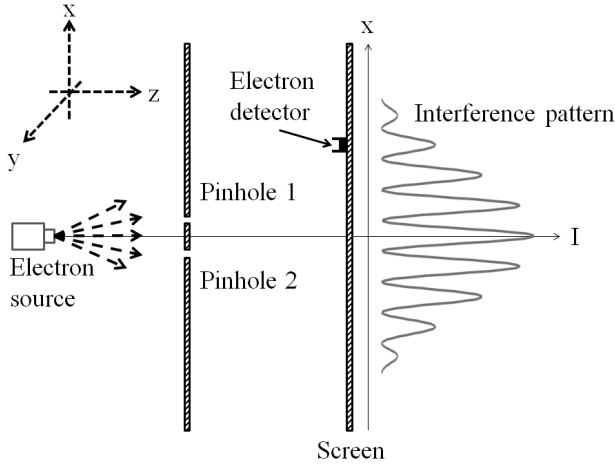


FIG. 2. 2スリット (2ピンホール) による単一電子干渉の代表的実験系の概略図

度) によって説明される。[35]

$$P_{12} = |\phi_1 + \phi_2|^2 \quad (22)$$

$\phi_1 = \langle x|1\rangle\langle 1|s\rangle$  と  $\phi_2 = \langle x|2\rangle\langle 2|s\rangle$  は確率振幅

$\langle 1_{\text{or}}2|s\rangle$ : ” $\langle$  電子がピンホール 1 又は 2 に到達する | 電子が  $s$  (電子源) から出る  $\rangle$ ” と

$\langle x|1_{\text{or}}2\rangle$ : ” $\langle$  電子がスクリーン  $x$  に到達する | 電子がピンホール 1 または 2 を出る  $\rangle$ ”

で構成される。

ピンホール 1 又は 2 のどちらかが閉じられているとき、各確率と足し合わせた確率は  $P_1 = |\phi_1|^2$ 、 $P_2 = |\phi_2|^2$  と  $P = P_1 + P_2 \neq P_{12}$  と計算される。よって、単一電子は分割できないにも拘らず両方のピンホールを同時に通ったと認めざるを得なくなり、量子重ね合わせ状態の概念の導入を余儀なくされる。

しかし、上記のように量子重ね合わせ状態の代わりに、局在化した電子伝搬と観測不可能なポテンシャルの状態を考える事ができる。

このような場合、電子波動関数は次のように表されるべきである。

$$\begin{aligned} \psi'_1 &= \psi_1 \cdot \exp \left[ i \frac{q}{\hbar} \int_{s \rightarrow \text{Pinhole1} \rightarrow \text{screen}} (\phi_{\text{uo}} dt - \mathbf{A}_{\text{uo}} \cdot d\mathbf{x}) \right] \\ \psi'_2 &= \psi_2 \cdot \exp \left[ i \frac{q}{\hbar} \int_{s \rightarrow \text{Pinhole2} \rightarrow \text{screen}} (\phi_{\text{uo}} dt - \mathbf{A}_{\text{uo}} \cdot d\mathbf{x}) \right] \end{aligned} \quad (23)$$

ただし  $\psi'_1$  と  $\psi'_2$  は観測不可能なポテンシャルとともにピンホール 1 と 2 を通ったスクリーン上の電子波動関数であり、 $\psi_1$  と  $\psi_2$  は観測不可能なポテンシャルの影響を受けていない、ピンホール 1 と 2 に向かう電子源の電子波動関数である。 $\phi_{\text{uo}}$  と  $\mathbf{A}_{\text{uo}}$  は (7) で表される観測不可能なポテンシャルだけでなく、(3) と (21) のような局在したポテンシャルから生じた観測不可能なポテンシャル部分をも含む。

よって、この波動関数を用いてスクリーン上に電子を見

出す確率は次のように記述される。

$$\begin{aligned} P_{12} &\propto |\psi'|^2 = |\psi'_1 + \psi'_2|^2 \\ &= |\psi_1|^2 + |\psi_2|^2 \\ &\quad - 2\text{Re} \left( \exp \left[ i \frac{q}{\hbar} \oint_{s \rightarrow 1 \rightarrow \text{screen} \rightarrow 2 \rightarrow s} (\phi_{\text{uo}} dt - \mathbf{A}_{\text{uo}} \cdot d\mathbf{x}) \right] \psi_1^* \psi_2 \right) \end{aligned} \quad (24)$$

但し、積分路の 1 と 2 はピンホール 1 と 2 を示す。この表式は Aharonov-Bohm 効果と同等である。[27]

単一電子干渉の場合、電子は間違いなくピンホールで見出され、ピンホール 2 では発見されない、すなわち  $|\psi_1|^2 = 1$  と  $|\psi_2|^2 = 0$  である。正確には確率密度ではなく  $\int |\psi_{1\text{or}2}|^2 d\mathbf{V} = 1$  または 0 であるが、簡単化のため  $|\psi_1|^2 = 1$  と  $|\psi_2|^2 = 0$  で検討を継続する。

$\psi_1$  と  $\psi_2$  の間に位相差  $\theta$  を導入すると、 $P_{12}$  は次の干渉を表す。

$$P_{12} \propto 1 - 2\text{Re}(\exp i[\phi + \theta] \psi_1^* \psi_2) \quad (25)$$

ただし  $\phi = \frac{q}{\hbar} \oint_{s \rightarrow 1 \rightarrow \text{screen} \rightarrow 2 \rightarrow s} (\phi_{\text{uo}} dt - \mathbf{A}_{\text{uo}} \cdot d\mathbf{x})$  である。

ここで、 $\theta$  を固定すると、干渉は  $\phi$  の関数 (スクリーン位置関数) としてスクリーン上に観測され、 $\phi$  を固定すると  $\theta$  の関数としてスクリーンの固定位置で干渉が観測される。

しかし、確率密度としての波動関数  $\psi_2$  は  $\psi_1^* \psi_2 \neq 0$  且つ  $|\psi_2|^2 = 0$  という辻褃の合わない関係を満足しなければならない。

そこで、正しい確率表現を明確にするため、 $n$  個の電子が存在するという電子数状態  $|n\rangle$  と保存カレント  $j_\mu = (q, \mathbf{i})$ 、すなわち  $\partial^\mu j_\mu = \frac{\partial q}{\partial t} + \nabla \cdot \mathbf{i} = 0$  から定義される電荷演算子  $\mathbf{Q} \equiv \int d^3x j_0(x)$  を導入する。電荷演算子は  $\mathbf{Q}|n\rangle = nq|n\rangle$  を満足し、これは  $n$  電子状態は  $\mathbf{Q}$  の固有状態であることを意味している。[37, 38]

電荷演算子は Maxwell 方程式に従い、 $\mathbf{Q}$  は光子数演算子  $\mathbf{n} = \hat{a}^\dagger \hat{a}$  の表現に一致するので、 $\mathbf{Q}$  は (15) と同様の不定計量演算子の組み合わせと認識できる。すなわち、

$$\begin{aligned} \mathbf{Q} &= \hat{q}_1^\dagger \hat{q}_1 \\ \hat{q}_2 &= \frac{1}{2} \gamma e^{i\theta/2} \hat{q}_1 - \frac{1}{2} \gamma e^{-i\theta/2} \hat{q}_1 \\ \hat{q}_2^\dagger &= \frac{1}{2} \gamma e^{-i\theta/2} \hat{q}_1^\dagger - \frac{1}{2} \gamma e^{i\theta/2} \hat{q}_1^\dagger \end{aligned} \quad (26)$$

よって、Heisenberg 描像では (17) と同等の単一電子干渉が得られる。

$$\langle I \rangle = \langle \psi | \left( \hat{q}_1^\dagger + \hat{q}_2^\dagger \right) \left( \hat{q}_1 + \hat{q}_2 \right) | \psi \rangle = q \left\{ \frac{1}{2} + \frac{1}{2} \cos \theta \right\} \quad (27)$$

ただし、 $\langle I \rangle$  は電荷強度の期待値である。

同様に、Schrödinger 描像での干渉も次のように計算できる。

$$\begin{aligned} \langle I \rangle &= \langle e^{-i\phi_1} \langle \psi_1 | + e^{-i\phi_2} \langle \psi_2 | \rangle \mathbf{Q}_S \langle e^{i\phi_1} | \psi_1 \rangle + e^{i\phi_2} | \psi_2 \rangle \rangle \\ &= q + \langle \psi_2 | \mathbf{Q}_S | \psi_2 \rangle \\ &\quad + q e^{i(\theta-\phi)} \langle \psi_1 | \psi_2 \rangle + q e^{-i(\theta-\phi)} \langle \psi_2 | \psi_1 \rangle \\ &= q \left\{ \frac{1}{2} + \frac{1}{2} \cos \theta \right\} \end{aligned} \quad (28)$$

ただし、Schrödinger 描像の電荷演算子  $\mathbf{Q}_S$  は  $\langle \psi | \mathbf{Q} | \psi \rangle = \langle \psi | \hat{q}_1^\dagger \hat{q}^\dagger \hat{q} \hat{q}_1 | \psi \rangle = \langle \psi | \hat{q}_1^\dagger \mathbf{Q}_S \hat{q}_1 | \psi \rangle = \langle \psi_1 | \mathbf{Q}_S | \psi_1 \rangle$  から得られる。よって、状態  $\hat{q}_1^\dagger | \psi \rangle = | \psi \rangle_S \equiv | \psi_1 \rangle$  と  $\hat{q}_2 | \psi \rangle = \frac{1}{2} \gamma e^{i\theta/2} \hat{q}_1^\dagger | \psi \rangle - \frac{1}{2} \gamma e^{-i\theta/2} \hat{q}_1 | \psi \rangle = \frac{1}{2} \gamma e^{i\theta/2} | \psi \rangle_S - \frac{1}{2} \gamma e^{-i\theta/2} | \psi \rangle_S \equiv | \psi_2 \rangle$  は

”観測不可能なポテンシャルとともに電子がピンホール 1 を通る”状態  $e^{i\phi_1} | \psi_1 \rangle$ 、 $P_1 = \langle \psi_1 | \psi_1 \rangle = \int | \psi_1 |^2 d\mathbf{V} = 1$ 、

”観測不可能なポテンシャルだけがピンホール 2 を通る”状態  $e^{i\phi_2} | \psi_2 \rangle$ 、 $P_2 = \langle \psi_2 | \psi_2 \rangle = \int | \psi_2 |^2 d\mathbf{V} = 0$

と認識できる。

これらの状態において、 $\phi_1$ 、 $\phi_2$  と  $\phi = \phi_1 - \phi_2$  は (23) と (24) の位相項に一致する。しかしながら、 $\phi$  は単一電子干渉の発生源ではないようである。Aharonov-Bohm 効果は両方のピンホールに実体ある電子があるときに観測される。単一電子干渉は不定計量の観測不可能なポテンシャルに起因する。

上記の議論によると、観測不可能なポテンシャルは電子波動関数または電子状態の位相シフトを生じ、(23) から分かるように、第 2 種ゲージ変換により導入されるゲージ場に相当する。よって、”観測不可能なポテンシャルだけがピンホール 2 を通る”という状態は、電荷なしに干渉のための位相変移を生じさせると認識できる。

上記の  $|\psi_2\rangle$  の表式では、通常の Hilbert 空間に数学的解は無い。よって、”観測不可能なポテンシャルだけがピンホール 2 を通る”という状態も、(26) から分かるように確率振幅 0 の不定計量 Hilbert 空間のベクトルとみなさなければならぬ。これで、単一電子干渉も量子重ね合わせ状態を用いることなく表現できることとなった。

量子重ね合わせ状態 (24) を用いた計算は統計的な意味の確率を持った混合状態の場合には妥当である。干渉現象の応用に重ね合わせ状態を用いるのは便利であるが、これは自然の正しい仕組みを反映していないので、単一光子や電子の波束の収縮を利用した量子応用は実現不可能の可能性が大きい。

## VI. 考察

### A. 不確定性原理及び波束の収縮

観測不可能なポテンシャルの存在によって、Heisenberg の不確定性原理が測定とは独立に説明できる。更に、”Schrödinger の猫”と”Einstein, Podolsky and Rosen (EPR)” [1, 2] に代表される波束の収縮のパラドックスが解決される。なぜなら両方とも量子重ね合わせ状態に起因するからである。

前記の結果は Schrödinger 描像による経路 1 と 2 又はピンホール 1 と 2 の状態は系が準備された時に実体ある単一光子や電子と観測不可能なポテンシャルの状態で決定され、量子重ね合わせ状態のような分割された状態ではない、これは波束の収縮は無いことを意味する。

”系が準備された時”というのは光 MZI とピンホールの分岐部直後に相当する。どちらの経路、ピンホールを光子や電子が選ぶか予測できないが、選ばれた後は状態は固定され量子重ね合わせ状態ではない。この状態の概念は量子重ね合わせによって形成される純粋状態ではなく、混合

状態のものである。これは自然界には量子重ね合わせ状態が存在しないことを示唆する。

Heisenberg の不確定性原理に関しては、観測とは無関係の正準交換関係に相当するフーリエ変換によるトレードオフと明確に認識できる。

### B. ゼロ点エネルギー

(14) と  $\langle 0 | \hat{a}_1^\dagger \hat{a}_1 | 0 \rangle = 0$  より、従来ゼロ点エネルギーは  $\langle 0 | \hat{\mathcal{H}} | 0 \rangle = \frac{1}{2} \hbar \omega$  すなわち

$$\begin{aligned} \langle 0 | \hat{a}_1^\dagger \hat{a}_1 | 0 \rangle &= \frac{1}{\hbar \omega} \langle 0 | \left( \hat{\mathcal{H}} - \frac{1}{2} \hbar \omega \right) | 0 \rangle \\ &= \frac{1}{\hbar \omega} \left( \langle 0 | \hat{\mathcal{H}} | 0 \rangle - \frac{1}{2} \hbar \omega \right) = 0 \end{aligned} \quad (29)$$

と認識されてきた。この固定されたゼロ点エネルギーの起源は観測不可能なポテンシャルを無視した (12) の電場演算子の定義である。しかし、観測不可能なポテンシャルは全空間に存在するという考えを得たので、(12) は

$$\begin{aligned} \hat{a}_1 + \hat{a}_2 &= \frac{1}{\sqrt{2\hbar\omega}} (\omega \hat{q} + i \hat{p}) \\ \hat{a}_1^\dagger + \hat{a}_2^\dagger &= \frac{1}{\sqrt{2\hbar\omega}} (\omega \hat{q} - i \hat{p}) \end{aligned} \quad (30)$$

で置き換えるべきである。

よって Hamiltonian は次の干渉と同じ表式である。

$$\hat{\mathcal{H}} = \hbar \omega \left( \hat{a}_1^\dagger \hat{a}_1 + \hat{a}_2^\dagger \hat{a}_2 + \hat{a}_1^\dagger \hat{a}_2 + \hat{a}_2^\dagger \hat{a}_1 \right) + \frac{1}{2} \hbar \omega \quad (31)$$

よって、単一光子状態のエネルギーも揺らいでいる。

$$\langle 1 | \hat{\mathcal{H}} | 1 \rangle = \frac{1}{2} \hbar \omega \langle 1 | \hat{a}_1^\dagger \hat{a}_1 | 1 \rangle + \frac{1}{2} \hbar \omega \langle 1 | \hat{a}_1^\dagger \hat{a}_1 | 1 \rangle \cos \theta + \frac{1}{2} \hbar \omega \quad (32)$$

単一光子は  $\theta = \pm N\pi$ 、( $N$ : 偶数) のときに観測されるので

$$\begin{aligned} \langle 1 | \hat{\mathcal{H}} | 1 \rangle &= \frac{1}{2} \hbar \omega \langle 1 | \hat{a}_1^\dagger \hat{a}_1 | 1 \rangle + \frac{1}{2} \hbar \omega \langle 1 | \hat{a}_1^\dagger \hat{a}_1 | 1 \rangle + \frac{1}{2} \hbar \omega \\ &= \langle 1 | \hat{a}_1^\dagger \hat{a}_1 | 1 \rangle \hbar \omega + \frac{1}{2} \hbar \omega = \hbar \omega \end{aligned} \quad (33)$$

よって、 $\langle 1 | \hat{a}_1^\dagger \hat{a}_1 | 1 \rangle = \frac{1}{2}$ 。これは次の光子数の期待値の差し替えを示唆する。

$$\langle 0 | \hat{a}_1^\dagger \hat{a}_1 | 0 \rangle = -\frac{1}{2}, \quad \langle 1 | \hat{a}_1^\dagger \hat{a}_1 | 1 \rangle = \frac{1}{2}, \quad \langle 2 | \hat{a}_1^\dagger \hat{a}_1 | 2 \rangle = \frac{3}{2}, \quad \dots \quad (34)$$

従来は  $\langle 0 | \hat{a}_1^\dagger \hat{a}_1 | 0 \rangle$  は 0 であると考えられてきた。しかし、 $\langle 0 | \hat{a}_1^\dagger \hat{a}_1 | 0 \rangle = -\frac{1}{2}$  と認識すべきであり、これは不定計量を要求する。

よって単一光子干渉の絶対値は  $\langle 0 | \hat{a}_1^\dagger \hat{a}_1 | 0 \rangle$  の選択に依存して変動するが、 $\langle \hat{I} \rangle \propto \frac{1}{2} \pm \frac{1}{2} \cos \theta$  は維持される。

この期待値を使ってゼロ点エネルギーは

$$\begin{aligned} \langle 0 | \hat{\mathcal{H}} | 0 \rangle &= \frac{1}{2} \hbar \omega \langle 0 | \hat{a}_1^\dagger \hat{a}_1 | 0 \rangle + \frac{1}{2} \hbar \omega \langle 0 | \hat{a}_1^\dagger \hat{a}_1 | 0 \rangle \cos \theta + \frac{1}{2} \hbar \omega \\ &= \frac{1}{4} \hbar \omega - \frac{1}{4} \hbar \omega \cos \theta \end{aligned} \quad (35)$$



と計算され、ゼロ点エネルギーも揺らいでいる。ここで、もし  $\hat{a}_2 = \gamma\hat{a}_1$  なら

$$\hat{a}_2^\dagger\hat{a}_2 = -\hat{a}_1^\dagger\hat{a}_1 = \frac{1}{\hbar\omega} \left( \hat{\mathcal{H}} - \frac{1}{2}\hbar\omega \right) \quad (36)$$

であるので、隔絶された観測不可能なポテンシャルは負のエネルギーを持つ。[31] しかし (15) から  $\hat{a}_2 \neq \gamma\hat{a}_1$  であり、隔絶できず (30) のように組み合わせられるので、負のエネルギーは局在化したポテンシャルとの干渉を通してだけ現れる。

ゼロ点エネルギーは Casimir 効果を通して測定されている。[39–43] 前記の知見は位相差により真空中にエネルギーの揺らぎがあることを説明している。このような揺らぎによる引力は Casimir 効果の起源である Van der Waals 力の基本概念である。[44]

よって上記の計算は Casimir 効果と矛盾しない。

### C. 自発的対称性の破れ

従来の自発的対称性の破れ（これは  $\mathbf{Q}|0\rangle \neq 0$  または一般的に  $|0\rangle$  は  $\mathbf{Q}$  の固有状態ではないという可能性の探索である）の取り扱い、Goldstone ボソンや Higgs ボソンを用いた複雑な議論を必用とした。[38, 45] 但し、 $|0\rangle$  は真空状態である。

しかし、上記のように観測不可能なポテンシャルは全空間に絶え間なく存在し、ピンホール 2 には電子は存在しない。よって、ピンホール 2 の状態  $e^{i\gamma_2}|\psi_2\rangle$  は  $|0\rangle$  の代わりに真空と同一視できる。上記の  $\langle\psi_2|\psi_2\rangle = 0$  の関係から、 $e^{i\gamma_2}|\psi_2\rangle$  が  $\mathbf{Q}$  の固有状態  $\mathbf{Q}e^{i\gamma_2}|\psi_2\rangle = \alpha e^{i\gamma_2}|\psi_2\rangle$  であるなら、 $\langle\psi_2|e^{-i\gamma_2}\mathbf{Q}e^{i\gamma_2}|\psi_2\rangle = \alpha\langle\psi_2|\psi_2\rangle = 0$ 、但し  $\alpha$  は固有値である。しかし (28) の下の議論から  $\langle\psi_2|e^{-i\gamma_2}\mathbf{Q}e^{i\gamma_2}|\psi_2\rangle = \langle\psi_2|\mathbf{Q}|\psi_2\rangle$  は位相差によって  $-q$  から  $0$  の間で揺らいでいる。よって真空  $e^{i\gamma_2}|\psi_2\rangle$  は  $\mathbf{Q}$  の固有状態ではない。これは自発的対称性の破れを表現している。

新しい真空はポテンシャル（ゲージ場）で満たされ、その状態は最初の基底状態の下に存在するという前記の議論は、 $\mathbf{Q}$  をエネルギー準位に置き換えると、Y. Nambu と G. Jona-Lasinio によって報告された超伝導のアナロジーを用いた自発的対称性の破れの議論と同一である。[46, 47]

更に、ゲージ場による自発的対称性の破れはゲージ場による質量獲得の仕組みに繋がっている。[48]

よって、上記の議論は従来の自発的対称性の破れと質量獲得の仕組みと矛盾しない。

### D. 単一粒子干渉の一般的取り扱い

(20) と (28) から、単一粒子の干渉は次の形式で表現できる。

$$\begin{aligned} \langle I \rangle &= (\langle\phi| + \langle\zeta|) \mathbf{F} (|\phi\rangle + |\zeta\rangle) \\ &= f + \langle\zeta|\mathbf{F}|\zeta\rangle + f\langle\phi|\zeta\rangle + f\langle\zeta|\phi\rangle \end{aligned} \quad (37)$$

$\langle\zeta|\mathbf{F}|\zeta\rangle + f\langle\phi|\zeta\rangle + f\langle\zeta|\phi\rangle = -\frac{1}{2}f + \frac{1}{2}f\cos\theta$  の時、 $\mathbf{F}$  の単一粒子干渉  $\langle I \rangle = f\left\{\frac{1}{2} + \frac{1}{2}\cos\theta\right\}$  が生じる。但し  $\mathbf{F}$  は粒子の任意のオブザーバブルな演算子、 $|\phi\rangle$  は  $\mathbf{F}$  の固有状態、 $f$  は  $|\phi\rangle$  の固有関数に属する  $\mathbf{F}$  の固有値、 $|\zeta\rangle$  は観測

不可能なポテンシャルを表す不定計量ベクトルである。本報告で記述した Maxwell 方程式の場合、 $|\zeta\rangle$  は可換ゲージ場 (Abelian ゲージ場) である。多成分の状態  $|\phi\rangle$  を取り扱う場合、 $|\zeta\rangle$  は非可換ゲージ場 (non-Abelian ゲージ場) に相当する。[49–52] しかし、上記の取り扱いはどちらの場合にも適用できる。

(37) において  $\mathbf{F}$  が  $|\phi\rangle$  の個数演算子  $\mathbf{n}$  で  $|\phi\rangle$  が単一粒子状態  $|\phi\rangle = |1\rangle$  であれば、単一粒子の存在確率は揺らぐことになる。

$$\begin{aligned} (\langle 1| + \langle\zeta|) \mathbf{n} (|1\rangle + |\zeta\rangle) &= 1 + \langle\zeta|\mathbf{n}|\zeta\rangle + \langle 1|\zeta\rangle + \langle\zeta|1\rangle \\ &= \frac{1}{2} + \frac{1}{2}\cos\theta \end{aligned} \quad (38)$$

このような単一粒子の自己揺らぎはニュートリノ振動と矛盾しないであろう。[53, 54]

## VII. まとめ

量子論には未解決のパラドックスが存在する。

ここで報告した不定計量のベクトルを活用することで、これらパラドックスを取り除く事ができる。更に、測定とは独立に不確定性原理を説明でき、ある条件でゼロ点エネルギーを除去でき、複雑性無しに自発的対称性の破れを説明可能である。

Maxwell 方程式は Minkowski 空間の波動方程式であり、常に不定計量ベクトルを導入すべきである。Minkowski 空間に状態ベクトルを導入すると、不定計量ベクトルが絶対的に要求される。要求されたベクトルは補助場としてだけでなく、単一光子や電子干渉の根本的原因である現実の物理的場として認識すべきである。

この結果は、真空は波動として絶え間なく存在する観測不可能な第 2 種ゲージ変換から導入されるゲージ場に相当するポテンシャル、で満たされていることを主張している。

この考えは量子重ね合わせ状態を用いた完全に同じ計算、実験結果を与える。なぜなら、光子や電子と観測不可能なポテンシャルとの位相差が、あたかも量子重ね合わせ状態が存在するような干渉を生じるからである。更に、この概念は実体ある光子や電子と観測不可能なポテンシャルのアナロジーに基づいており、単一光子や電子は分割できないも関わらず、両方の経路やピンホールを通ったと考える事を強要する不思議な量子重ね合わせ状態ではない。

しかも、この考えは従来の Casimir 効果、自発的対称性の破れ、質量獲得の仕組みと矛盾せず、非可換ゲージ場 (non-Abelian ゲージ場) にも適用可能である。

重ね合わせ状態は混合状態のような統計的な確率の場合には妥当である。量子重ね合わせ状態は解析を単純化する数学的ツールとして有用であるが、根本的な意味の確率の純粋状態の場合は妥当ではない。よって、自然には量子重ね合わせ状態という概念は存在せず、このことは波束の収縮に基づく工学的応用の実現は悲観的な結末を迎えることを示唆し、量子論は統計物理学の一種であることを主張する。

A. Einstein によって警告された量子論の不完全さは不定計量の導入の欠如に起因する。不定計量を導入した量子論は完全であると思われる。

M. Arndt と K. Hornberger は量子重ね合わせの幾つかのテストをレビューしており [11]、この結果がそれらの技術を用いて検証されることを期待する。

### 謝辞

K. Sato, Dr. S. Takasaka そして Dr. S. Matsushita に有益な議論をして頂きました。ここに感謝を表します。

- 
- [1] J. D. Trimmer, “The present situation in quantum mechanics: A translation of Schrödinger’s “cat paradox” paper,” *Proceedings of the American Philosophical Society* **124**, 323–338 (1980).
- [2] A. Einstein, B. Podolsky, and N. Rosen, “Can quantum-mechanical description of physical reality be considered complete’ ?” *Phys. Rev* **47**, 777–780 (1935).
- [3] D. Bohm, “A suggested interpretation of the quantum theory in terms of “hidden” variables. i,” *Phys. Rev.* **85**, 166–179 (1952).
- [4] D. Bohm, “A suggested interpretation of the quantum theory in terms of “hidden” variables. ii,” *Phys. Rev.* **85**, 180–193 (1952).
- [5] J. S. BELL, “On the problem of hidden variables in quantum mechanics,” *Rev. Mod. Phys.* **38**, 447–452 (1966).
- [6] X. Oriols and J. Mompart, “Overview of Bohmian Mechanics,” arXiv e-prints (2012).
- [7] P. Pytkänen, B. J. Hiley, and I. Pättiniemi, “Bohm’s approach and Individuality,” arXiv e-prints (2014).
- [8] D. Durr, S. Goldstein, T. Norsen, W. Struyve, and N. Zanghi, “Can Bohmian mechanics be made relativistic?” *Royal Society of London Proceedings Series A* **470**, 30699 (2013).
- [9] V. Allori, S. Goldstein, R. Tumulka, and N. Zanghi, “Predictions and Primitive Ontology in Quantum Foundations: A Study of Examples,” arXiv e-prints (2012).
- [10] G. Dennis, M. A. de Gosson, and B. J. Hiley, “Fermi’s ansatz and bohm’s quantum potential,” *Physics Letters A* **378**, 2363 – 2366 (2014).
- [11] M. Arndt and K. Hornberger, “Testing the limits of quantum mechanical superpositions,” *Nature Physics.* **10**, 271–277 (2014).
- [12] J. Grond, U. Hohenester, J. Schmiedmayer, and A. Smerzi, “Mach-zehnder interferometry with interacting trapped bose-einstein condensates,” *Phys. Rev. A* **84**, 023619 (2011).
- [13] G. D. McDonald, H. Keal, P. A. Altin, J. E. Debs, S. Bennetts, C. C. N. Kuhn, K. S. Hardman, M. T. Johnsson, J. D. Close, and N. P. Robins, “Optically guided linear mach-zehnder atom interferometer,” *Phys. Rev. A* **87**, 013632 (2013).
- [14] G. Haack, M. Moskalets, J. Splettstoesser, and M. Büttiker, “Coherence of single-electron sources from mach-zehnder interferometry,” *Phys. Rev. B* **84**, 081303 (2011).
- [15] S. Ngo Dinh, D. A. Bagrets, and A. D. Mirlin, “Analytically solvable model of an electronic mach-zehnder interferometer,” *Phys. Rev. B* **87**, 195433 (2013).
- [16] M. Morimoto, “Proposal for a plasmonic mach-zehnder modulator utilizing quantum interference effect,” *Selected Topics in Quantum Electronics, IEEE Journal of* **19**, 14–20 (2013).
- [17] A. Aspect, P. Grangier, and G. Roger, “Experimental tests of realistic local theories via bell’s theorem,” *Physical review letters* **47**, 460 (1981).
- [18] A. Aspect, P. Grangier, G. Roger *et al.*, “Experimental realization of einstein-podolsky-rosen-bohm gedankenexperiment: a new violation of bell’s inequalities,” *Physical review letters* **49**, 91–94 (1982).
- [19] A. Aspect, J. Dalibard, and G. Roger, “Experimental test of bell’s inequalities using time-varying analyzers,” *Physical review letters* **49**, 1804 (1982).
- [20] S. P. Walborn, M. O. Terra Cunha, S. Pádua, and C. H. Monken, “Double-slit quantum eraser,” *Phys. Rev. A* **65**, 033818 (2002).
- [21] V. Jacques, E. Wu, F. Grosshans, F. m. c. Treussart, P. Grangier, A. Aspect, and J.-F. m. c. Roch, “Delayed-choice test of quantum complementarity with interfering single photons,” *Phys. Rev. Lett.* **100**, 220402 (2008).
- [22] S. Longhi, “Classical and quantum interference in multi-band optical bloch oscillations,” *Phys. Rev. B* **79**, 245108 (2009).
- [23] A. Danan, D. Farfurnik, S. Bar-Ad, and L. Vaidman, “Asking photons where they have been,” *Phys. Rev. Lett.* **111**, 240402 (2013).
- [24] P. L. Saldanha, “Interpreting a nested mach-zehnder interferometer with classical optics,” *Phys. Rev. A* **89**, 033825 (2014).
- [25] R. Bach, D. Pope, S.-H. Liou, and H. Batelaan, “Controlled double-slit electron diffraction,” *New Journal of Physics* **15**, 033018 (2013).
- [26] M. Morimoto, “Non-Observable Potentials to Explain a Quantum Eraser and a Delayed-Choice Experiment ,” <http://vixra.org/abs/1405.0006> (2014).
- [27] Y. Aharonov and D. Bohm, “Significance of electromagnetic potentials in the quantum theory,” *Phys. Rev.* **115**, 485–491 (1959).
- [28] A. Tonomura, T. Matsuda, J. Endo, T. Arii, and K. Mihama, “Direct observation of fine structure of magnetic domain walls by electron holography,” *Phys. Rev. Lett.* **44**, 1430–1433 (1980).
- [29] A. Tonomura, H. Umezaki, T. Matsuda, N. Osakabe, J. Endo, and Y. Sugita, “Is magnetic flux quantized in a toroidal ferromagnet?” *Phys. Rev. Lett.* **51**, 331–334 (1983).
- [30] R. Loudon, *The quantum theory of light* (Oxford University Press, 1983), 2nd ed.

- [31] P. A. M. Dirac, “The physical interpretation of quantum mechanics,” *Proc. Roy. Soc. London A* **180**, 1–39 (1942).
- [32] W. Pauli and F. Villars, “On the invariant regularization in relativistic quantum theory,” *Rev. Mod. Phys* **21**, 434–444 (1949).
- [33] S. N. Gupta, “Quantum electrodynamics with auxiliary fields,” *Proc. Phys. Soc. A* **66**, 129–138 (1953).
- [34] T. D. Lee and G. C. Wick, “Finite theory of quantum electrodynamics,” *Phys. Rev. D* **2**, 1033–1048 (1970).
- [35] R. P. Feynman, R. B. Leighton, and M. L. Sands, *The Feynman Lectures on Physics Vol.II, III* (Addison-Wesley, 1965).
- [36] J. A. Stratton, *Electromagnetic Theory* (McGraw-Hill, 1941).
- [37] E. Karlson, *Proceedings of the Royal Society of London. Series A, Mathematical and Physical Sciences* **230**, 382–389 (1955).
- [38] C. Itzykson and J. B. Zuber, *Quantum Field Theory* (McGraw-Hill, 1985).
- [39] R. L. Jaffe, “Casimir effect and the quantum vacuum,” *Phys. Rev. D* **72**, 021301 (2005).
- [40] E. Myers, “Interpretation of the energy of the vacuum as the sum over zero-point energies,” *Phys. Rev. Lett.* **59**, 165–168 (1987).
- [41] S. K. Lamoreaux, “Demonstration of the casimir force in the 0.6 to  $6\mu\text{m}$  range,” *Phys. Rev. Lett.* **78**, 5–8 (1997).
- [42] U. Mohideen and A. Roy, “Precision measurement of the casimir force from 0.1 to  $0.9\mu\text{m}$ ,” *Phys. Rev. Lett.* **81**, 4549–4552 (1998).
- [43] I. Brevik, V. N. Marachevsky, and K. A. Milton, “Identity of the van der waals force and the casimir effect and the irrelevance of these phenomena to sonoluminescence,” *Phys. Rev. Lett.* **82**, 3948–3951 (1999).
- [44] W. Arnold, S. Hunklinger, and K. Dransfeld, “Influence of optical absorption on the van der waals interaction between solids,” *Phys. Rev. B* **19**, 6049–6056 (1979).
- [45] J. Goldstone, A. Salam, and S. Weinberg, “Broken symmetries,” *Phys. Rev.* **127**, 965–970 (1962).
- [46] Y. Nambu and G. Jona-Lasinio, “Dynamical model of elementary particles based on an analogy with superconductivity. i,” *Phys. Rev.* **122**, 345–358 (1961).
- [47] Y. Nambu and G. Jona-Lasinio, “Dynamical model of elementary particles based on an analogy with superconductivity. ii,” *Phys. Rev.* **124**, 246–254 (1961).
- [48] P. W. Higgs, “Broken symmetries and the masses of gauge bosons,” *Phys. Rev. Lett.* **13**, 508–509 (1964).
- [49] C. N. Yang and R. L. Mills, “Conservation of isotopic spin and isotopic gauge invariance,” *Phys. Rev.* **96**, 191–195 (1954).
- [50] T. T. Wu and C. N. Yang, “Concept of nonintegrable phase factors and global formulation of gauge fields,” *Phys. Rev. D* **12**, 3845–3857 (1975).
- [51] S. Weinberg, “A model of leptons,” *Phys. Rev. Lett.* **19**, 1264–1266 (1967).
- [52] R. Utiyama, “Invariant theoretical interpretation of interaction,” *Phys. Rev.* **101**, 1597–1607 (1956).
- [53] A. K. Mann and H. Primakoff, “Neutrino oscillations and the number of neutrino types,” *Phys. Rev. D* **15**, 655–665 (1977).
- [54] G. Feldman, J. Hartnell, and T. Kobayashi, “Long-baseline neutrino oscillation experiments,” *Adv.High Energy Phys.* **2013**, 475749 (2013).